

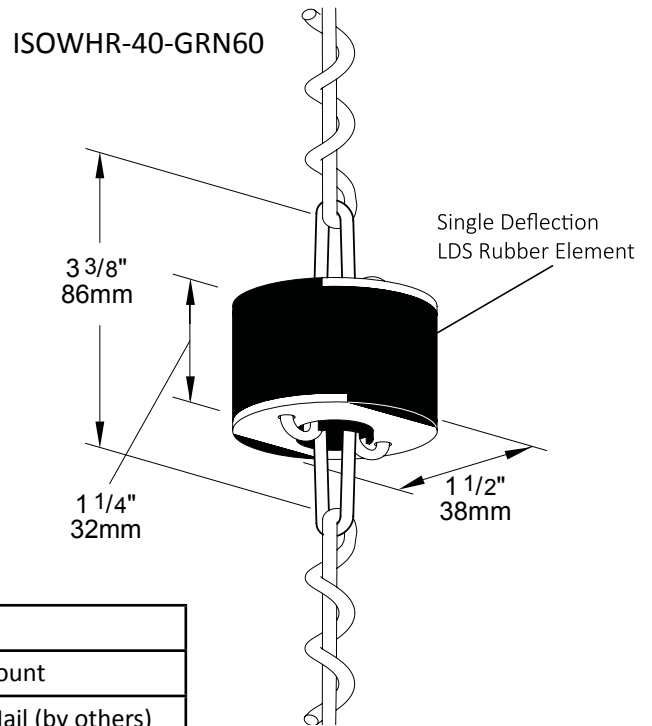
Isolation Hangers

DESCRIPTION

Isolation Hangers are designed to isolate noise, reduce resonant vibration and lower structure-borne noise.

These hangers use neoprene elements and springs to avoid metal to metal contact. The Isolation Ceiling Hangers are primarily used to isolate ceiling grid systems and pipe and duct work.

The Isolation Spring and Isolation Combination Hangers can be used for hanging speakers, small machinery, metal enclosures and more.



RATINGS			
Model No.	Capacity Range	Max Deflection (in.)	Mount
ISOWHR-40-GRN60	Up to 60 lbs	0.20	Wire, bolt, Nail (by others)
ISOW30-X-33	Up to 33 lbs	1.10	Eyebolts (Included)
ISO30-X-33	Up to 33 lbs	1.10	Threded Rod (by others)

ISO30-X-33

ISOW30-X-33

