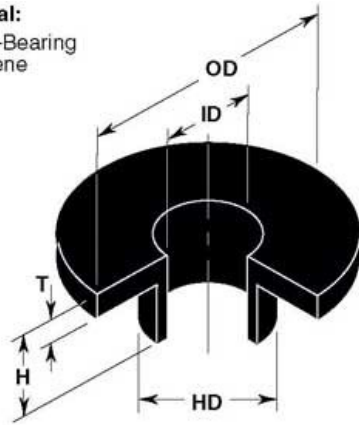


## ISOLATION WASHER BUSHING

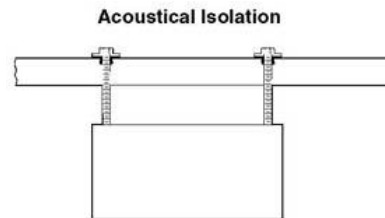
**Material:**

Bridge-Bearing  
Neoprene



### DESCRIPTION

Acoustical Solutions is proud to offer a variety of Isolation Washer Bushings. Please call 1-800-782-5742 for special pricing on quantities over 100.



### DETAILS AND MEASUREMENTS

Bride-Bearing Neoprene Specifications							
Original Physical Properties			Tested for Aging				Compression Set
(a)	(b)	(b)	(c) Oven Aging (70h/212°F)			(d) Ozone	(e)
Durometer	Tensile Strength (min)	Elongat. at Break (min)	Hardness (max)	Tensile Strength (max)	Elongat. at Break (max)	1 ppm in air by Vol 20% Straom 100F	22hrs 150°F Method B
40±5	2000 PSI	450%	+15%	±15%	-40%	No Cracks	30% (max)
50±5	2500 PSI	400%	+15%	±15%	-40%	No Cracks	25% (max)
60±5	2500 PSI	350%	+15%	±15%	-40%	No Cracks	25% (max)

(a) ASTM D-676 (b) ASTM D-142 (c) ASTM D-573 (d) ASTM D-1149 (e) ASTM D-395

Type HG Dimensions												
Size	Bolt Dia.		ID		HD		OD		T		H	
	(in)	(mm)	(in)	(mm)	(in)	(mm)	(in)	(mm)	(in)	(mm)	(in)	(mm)
ISOWASHER14	1/4	6	1/4	6	1/2	13	1	25	1/8	3	3/8	10
ISOWASHER38	3/8	10	3/8	10	5/8	16	1 1/4	32	1/8	3	1/2	13
ISOWASHER50	1/2	13	1/2	13	3/4	19	1 5/8	41	1/8	3	1/2	13
ISOWASHER58	5/8	16	5/8	16	7/8	22	2	51	3/16	5	5/8	16
ISOWASHER34	3/4	19	3/4	19	1	25	2 1/4	57	3/16	5	5/8	16
ISOWASHER1	1	25	1	25	1 1/4	32	2 3/4	70	1/4	6	7/8	22
ISOWASHER114	1 1/4	32	1 1/4	32	1 1/2	38	3 1/4	83	1/4	6	7/8	22
ISOWASHER150	1 1/2	38	1 1/2	38	1 3/4	45	3 3/4	95	1/4	6	1	25

