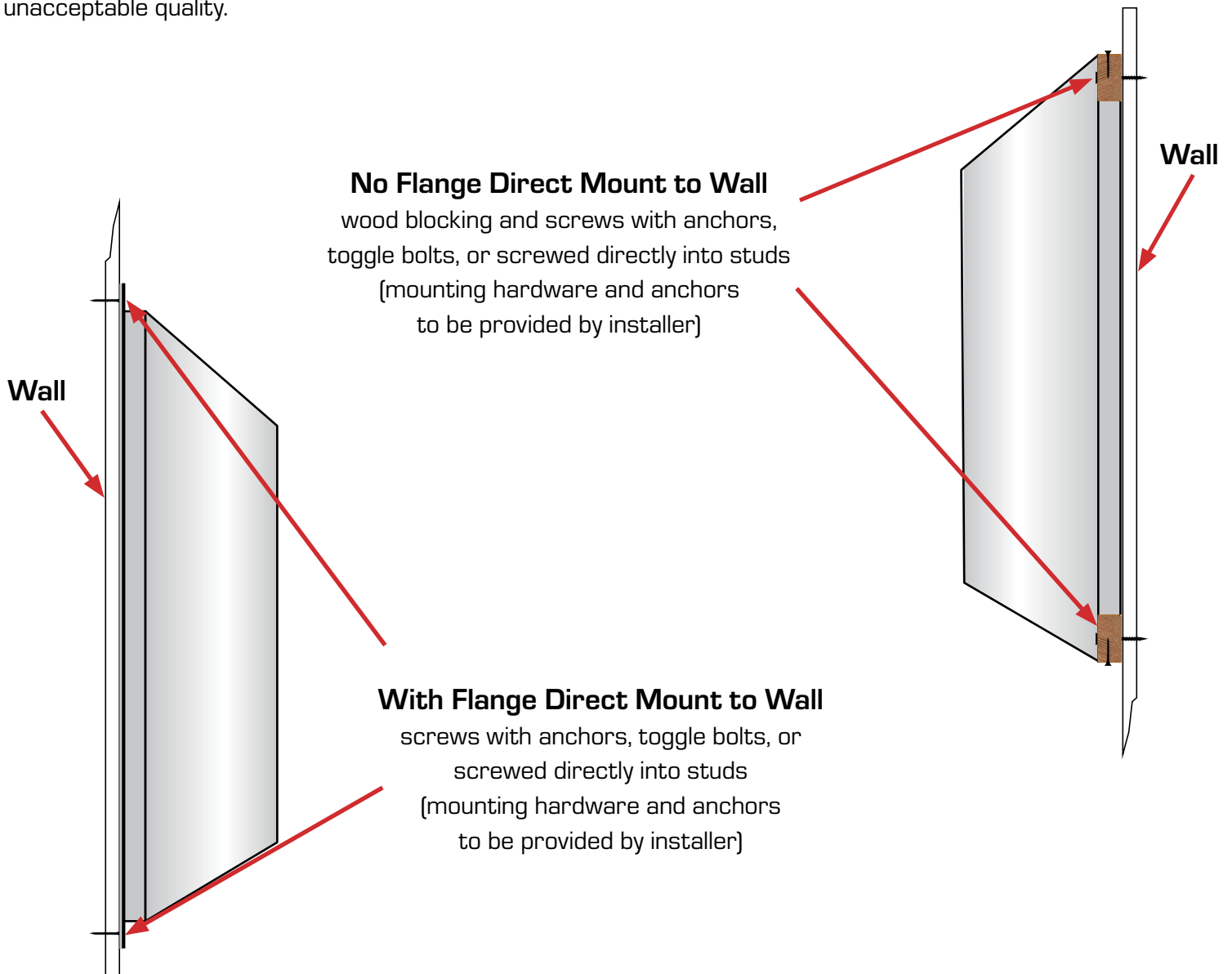


BARREL SOUND DIFFUSER INSTALLATION GUIDE

The following installation instructions are given as a general guide to avoid common errors. Installer should follow best practices for construction and workmanship. Acoustical Solutions bears no responsibility for installation or contractor selection. Please contact a sales representative if you have questions, concerns or specific project requirements.

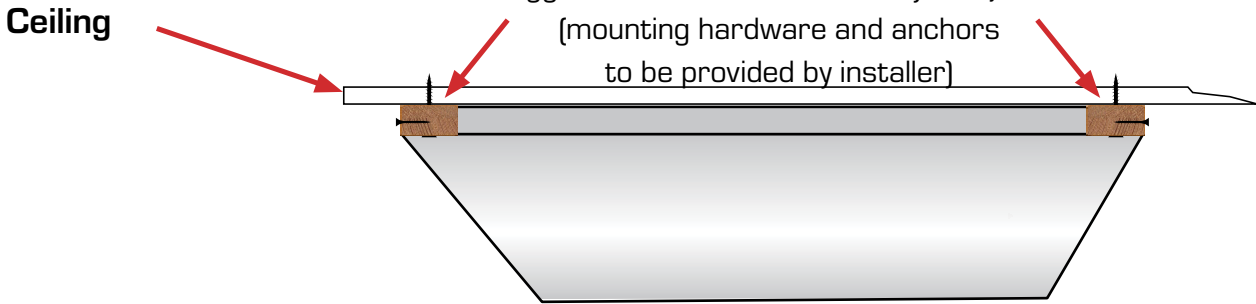
Be sure to inspect materials upon delivery. Please note any damage on the delivery ticket and notify Acoustical Solutions immediately. Materials should be stored in original packing in a clean, climate controlled environment free of moisture. Installation should not commence until building is enclosed and under standard occupancy conditions and surfaces are of acceptable condition and properly prepared. Do not install materials of unacceptable quality.



BARREL SOUND DIFFUSER INSTALLATION GUIDE

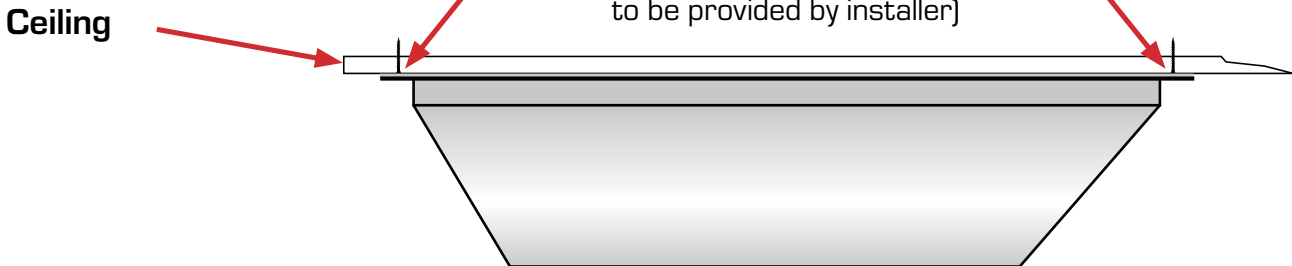
No Flange Direct Mount to Ceiling

wood blocking and screws with anchors,
toggle bolts, or screwed directly into joists
(mounting hardware and anchors
to be provided by installer)



With Flange Direct Mount to Ceiling

screws with anchors, toggle bolts, or screwed directly into joists
(mounting hardware and anchors
to be provided by installer)



With Flange in Drop Ceiling Grid

Lay into existing 15/16" grid system

