

Door Jamb Seals

DESCRIPTION

Our acoustical Door Jamb Seals are secured directly to the door stop or door jamb. These acoustic seals feature our unique compression design with a sound absorbing neoprene rubber gasket that molds to form a tight seal as the door is closed. This seal augments the sound performance of the door assembly that might otherwise be compromised due to irregularities that cause air gaps.

These acoustical door jams are listed for use with both wood and metal doors. The #475 and #485 seals simply attach to the existing door stop. The #170 and #770 jams are adjustable seals used in place of a door stop and require a minimum setback of 3 3/8" for door handle, unless you use the jamb as the stop. The door jamb #188 is a compression, self sticking door seal featuring a neoprene bubble seal that installs in the corner of the door jamb.

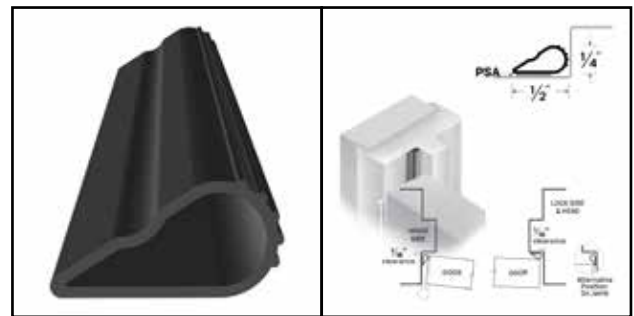
TECHNICAL CHARACTERISTICS

SIZE: Per linear foot as required

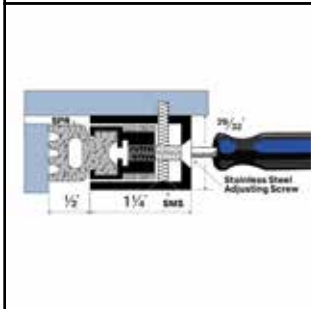
FINISH: Aluminum, Dark Bronze, Black

TYPE: 188, 170, 770, 475, 485

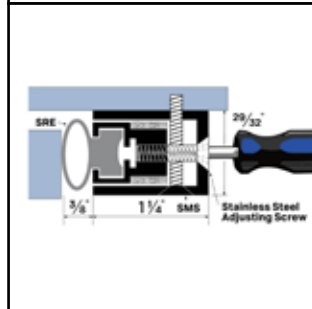
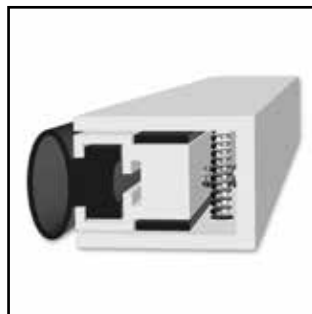
#188



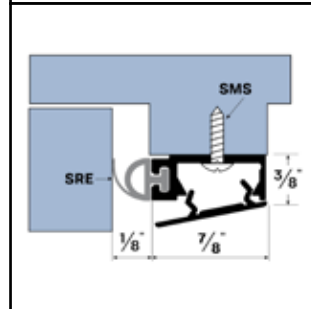
#170



#770



#475



#485

