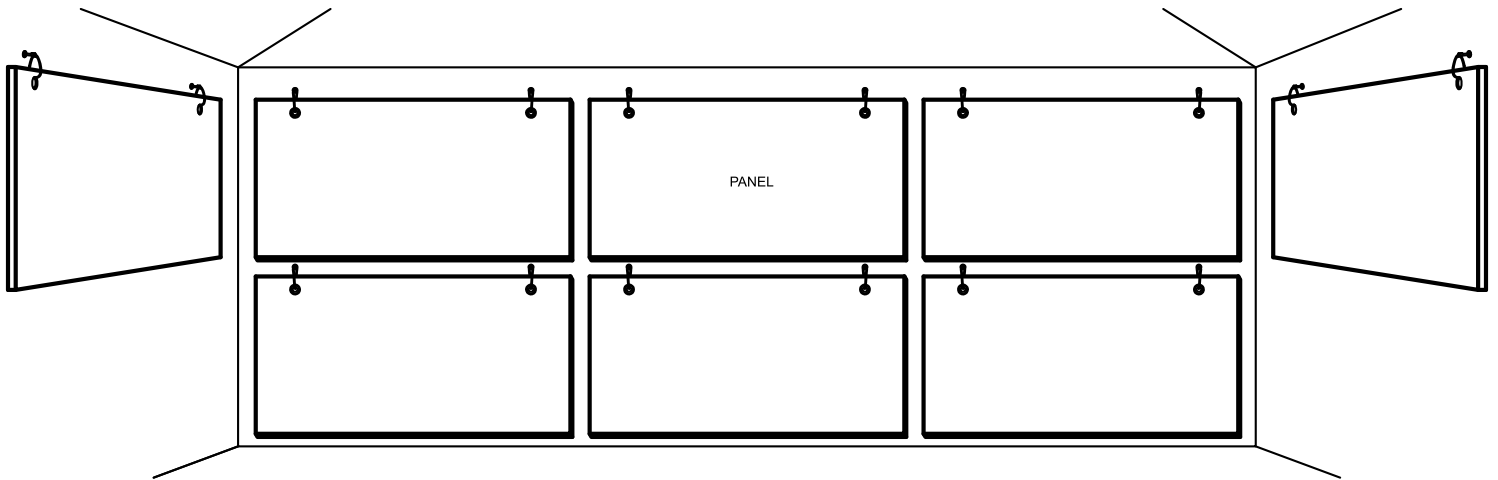
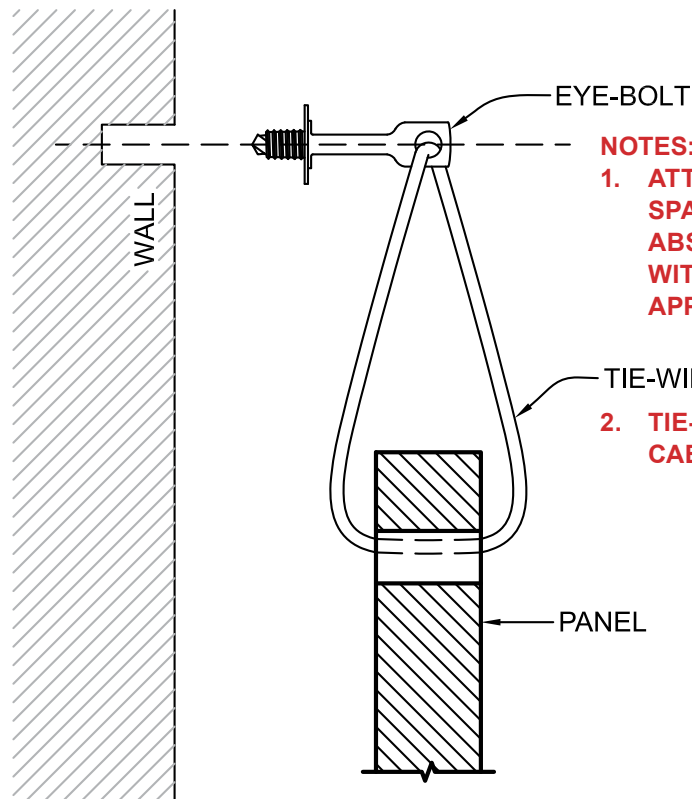


**ALPHASORB<sup>®</sup> PVC PLASTIC ACOUSTIC PANEL INSTALLATION INSTRUCTIONS**



1 FRONT ELEVATION  
CL-08 SCALE: NA



**NOTES:**

1. ATTACHED TO EYEBOLTS WITH AIR SPACE FOR INCREASED ACOUSTICAL ABSORPTION. ATTACHMENT IS MADE WITH TIE WRAPS, TIE WIRES, OR APPROPRIATE FASTENERS.
2. TIE-WIRE TO BE SNUGGED UP TIGHT TO CABLE SO TO PREVENT SLIPPAGE.

A ATTACHMENT DETAIL  
CL-08 SCALE: NA

**NOTE: DO NOT OVER TIGHTEN HARDWARE. DOING SO CAN CAUSE BOTTOM OF PANEL TO KICK OUT.**

