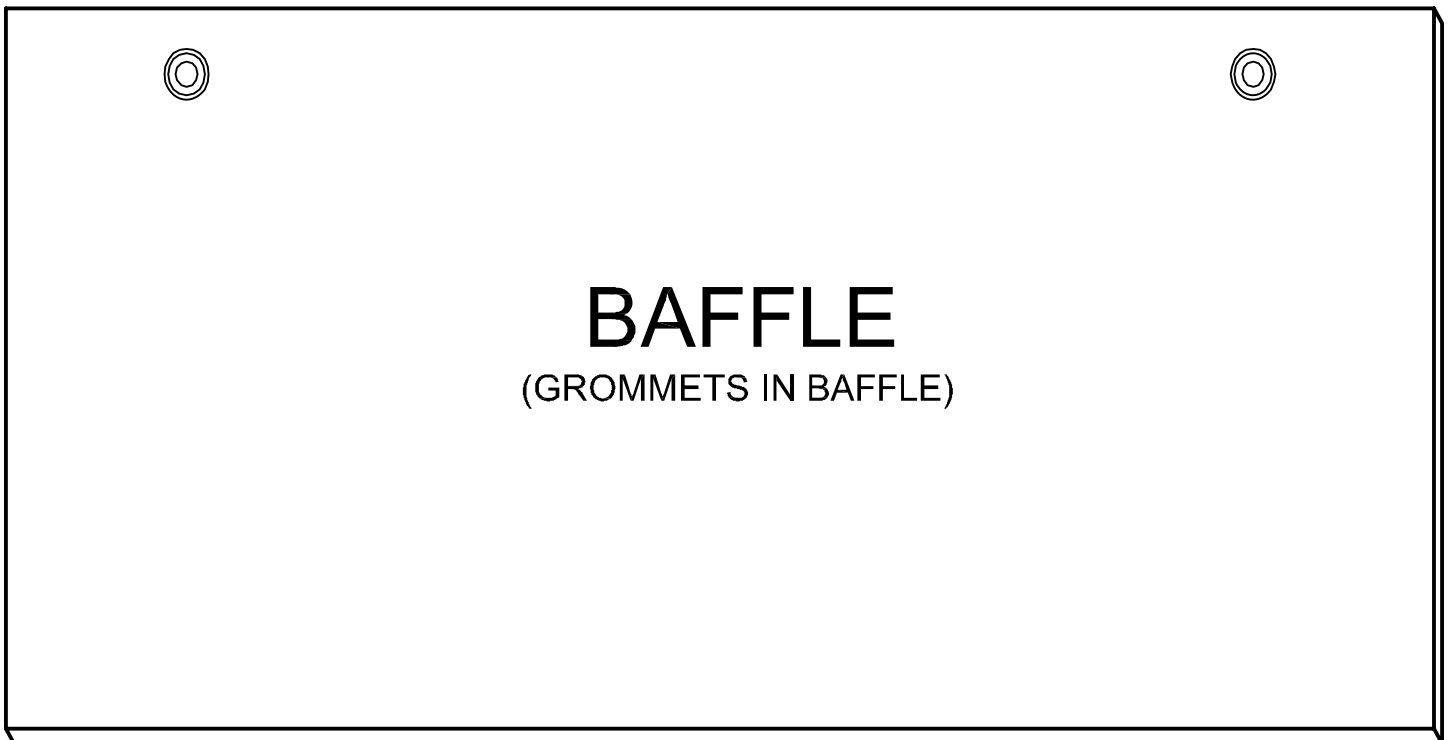


ALPHASORB[®] PVC PLASTIC SOUND Baffle INSTALLATION INSTRUCTIONS



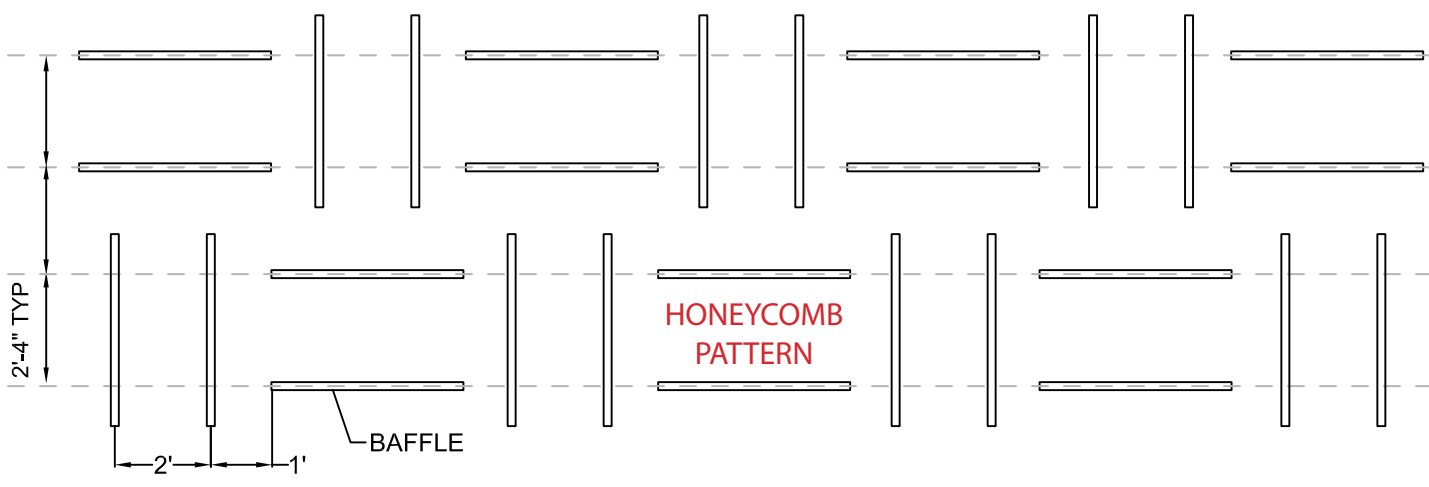
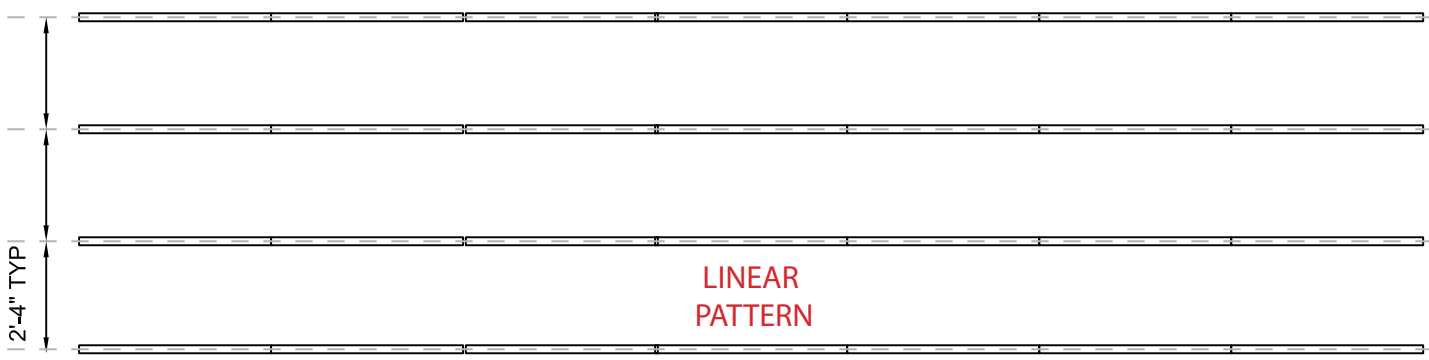
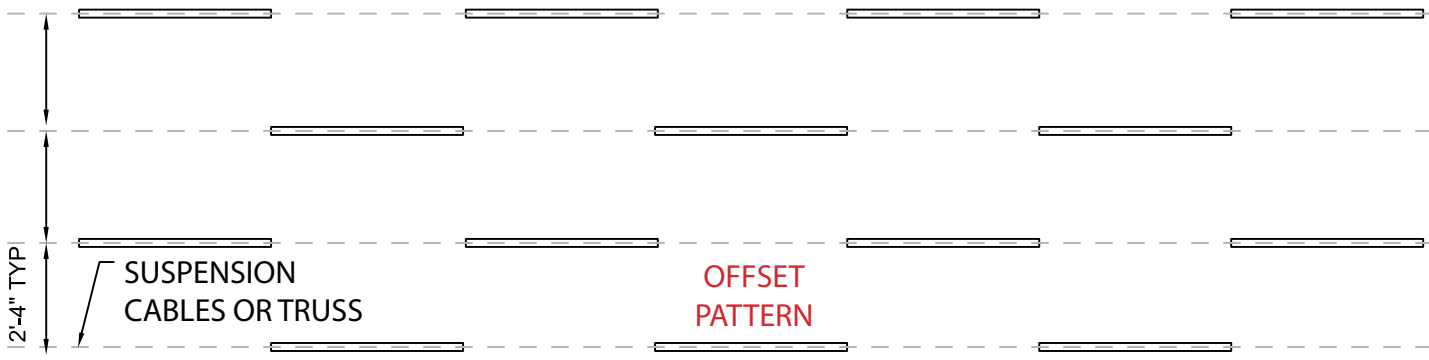
Please Note: These installation instructions are given as a general guide to avoid common errors. Installer should follow best practices for construction and workmanship. Acoustical Solutions bears no responsibility for installation or contractor selection. Please contact a sales representative if you have questions, concerns or specific project requirements.

Be sure to inspect materials upon delivery. Please note any damage on the delivery ticket and notify Acoustical Solutions immediately. Materials should be stored in original packing in a clean, climate controlled environment free of moisture. Installation should not commence until building is enclosed and under standard occupancy conditions and surfaces are of clean, acceptable condition and properly prepared. Installation is best done at the end of a construction project. Do not install materials of unacceptable quality.



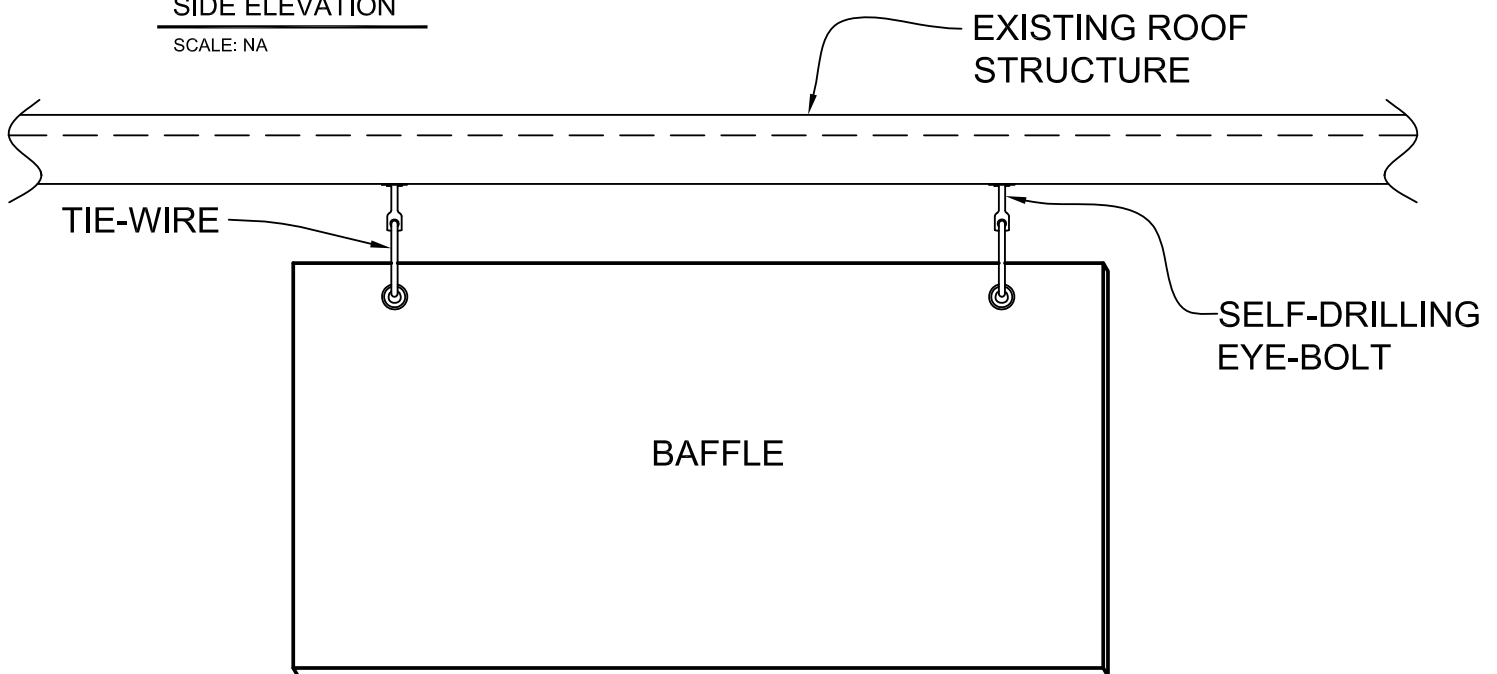
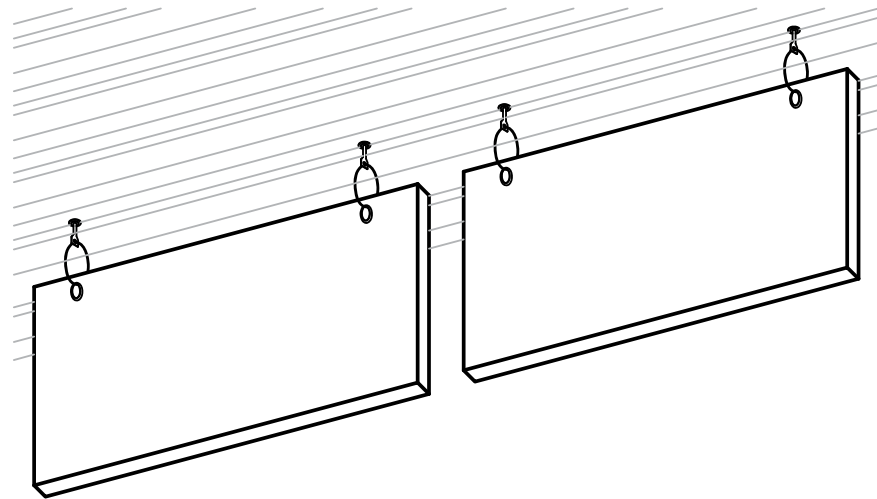
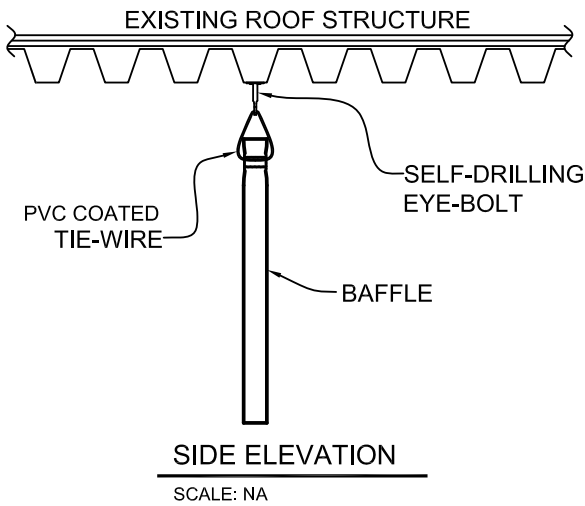
ALPHASORB[®] PVC PLASTIC SOUND BAFFLE INSTALLATION INSTRUCTIONS

SUGGESTED PATTERNS



ALPHASORB[®] PVC PLASTIC SOUND BAFFLE INSTALLATION INSTRUCTIONS

DIRECT TO ROOF DECK



FRONT ELEVATION

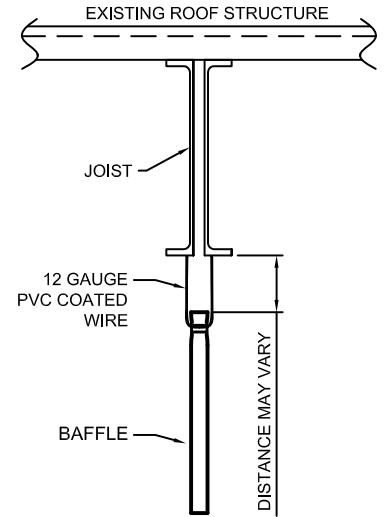
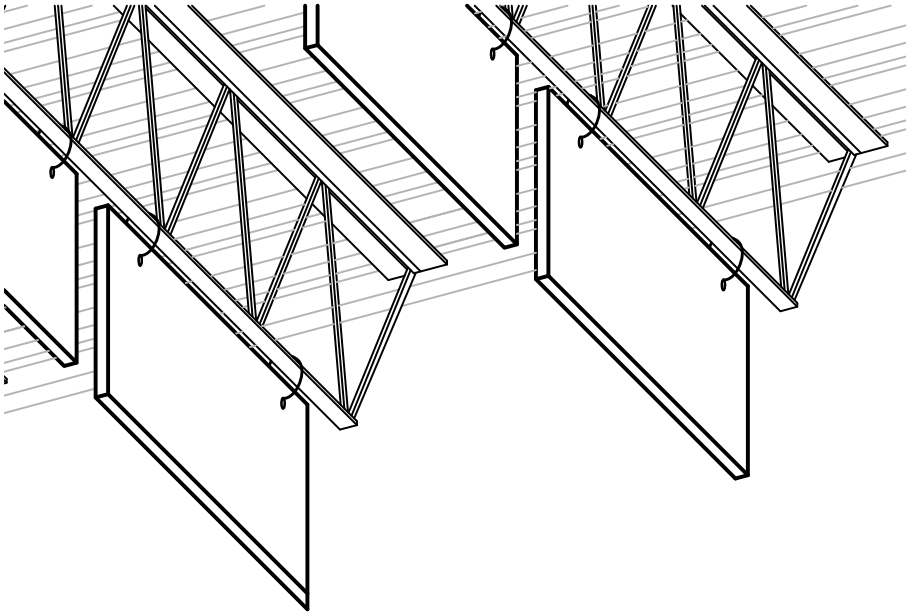
NOTES:

- 1) Do not over tighten or put excessive force on grommets as this may cause baffle failure
- 2) Tie-wire is recommended to connect directly above grommet. Avoid attaching at odd angles, as this causes undo stress on grommets.
- 3) Preferred method of suspension.
- 4) Tie-wire to be snugged tight to cable so to prevent slippage.



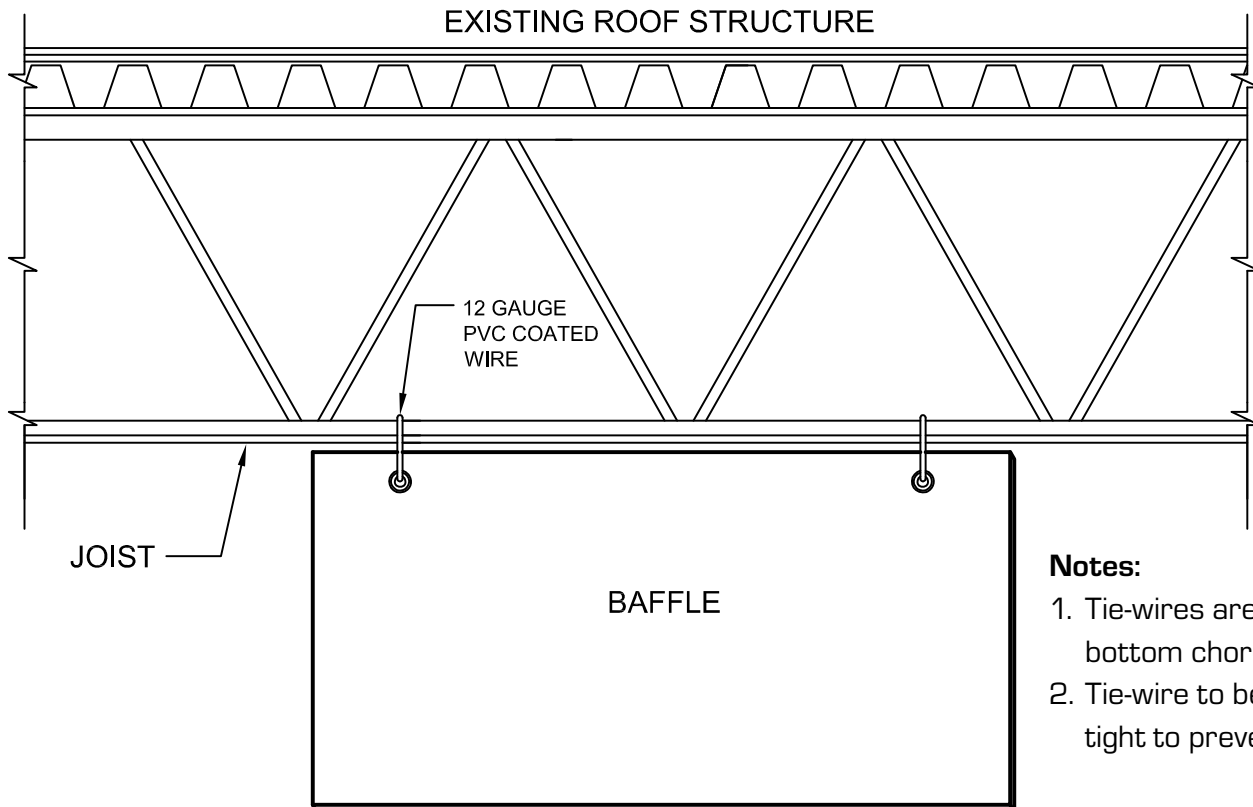
ALPHASORB[®] PVC PLASTIC SOUND Baffle INSTALLATION INSTRUCTIONS

ATTACHMENT TO BOTTOM CHORD



SIDE ELEVATION

SCALE: NA



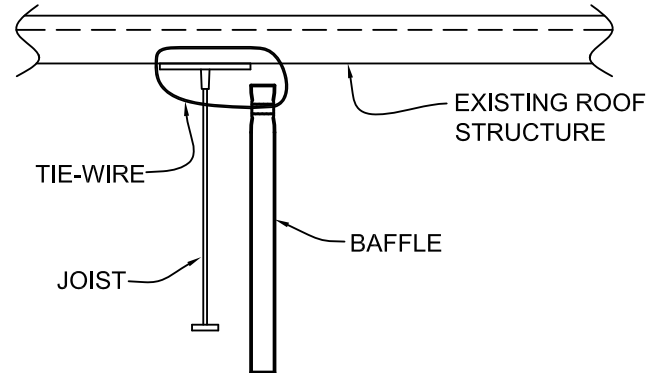
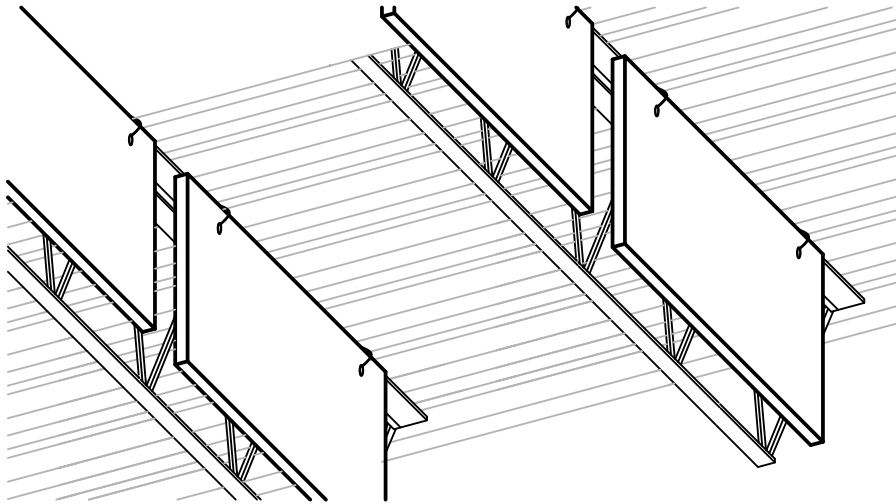
Notes:

1. Tie-wires are anchored to bottom chord of joist
2. Tie-wire to be snugged up tight to prevent slippage

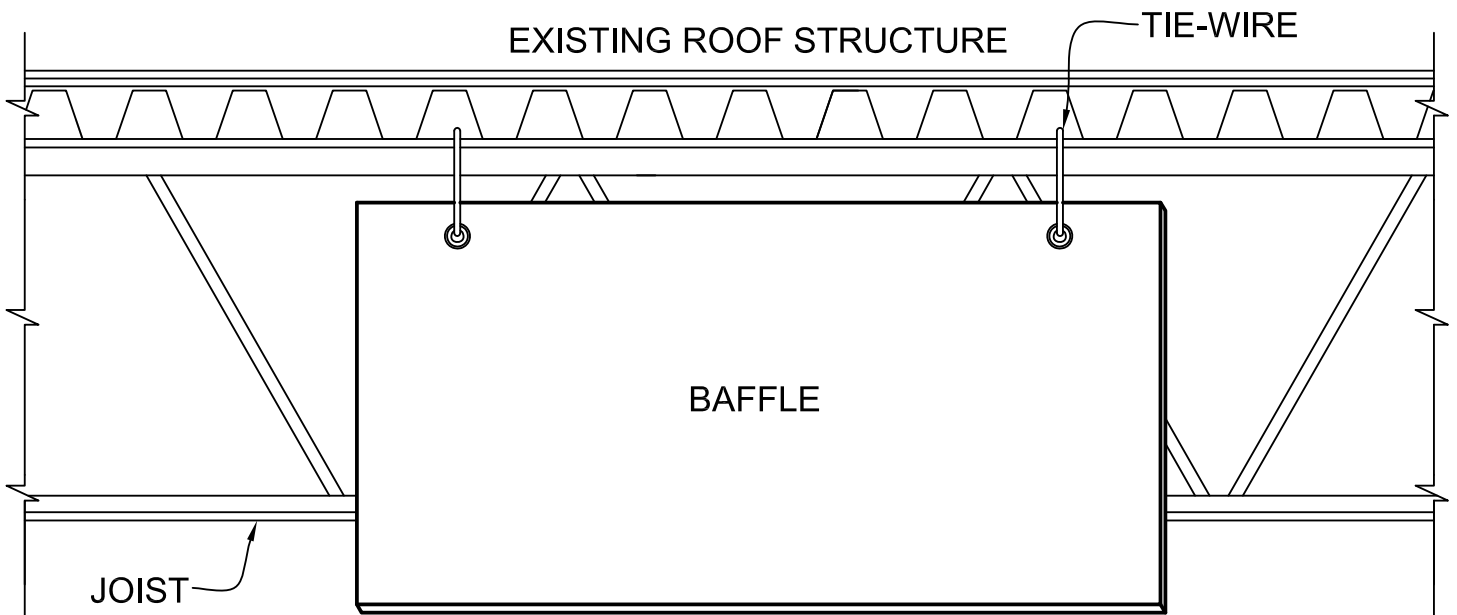


ALPHASORB[®] PVC PLASTIC SOUND Baffle INSTALLATION INSTRUCTIONS

ATTACHMENT TO TOP CHORD



SIDE ELEVATION
SCALE: NA



FRONT ELEVATION
SCALE: NA

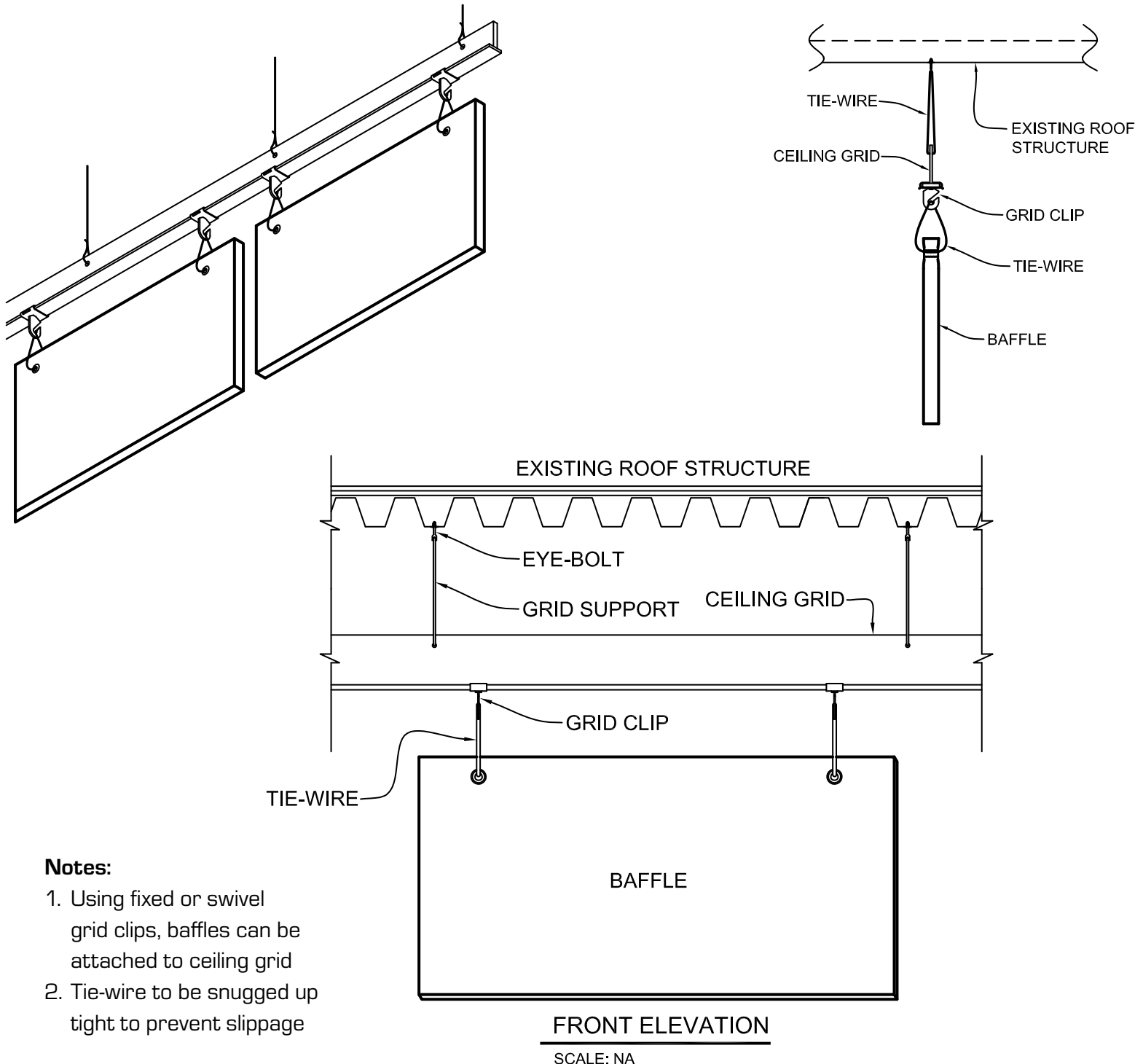
Notes:

1. Tie-wires are anchored to top chord of joist
2. Tie-wire to be snugged up tight to prevent slippage



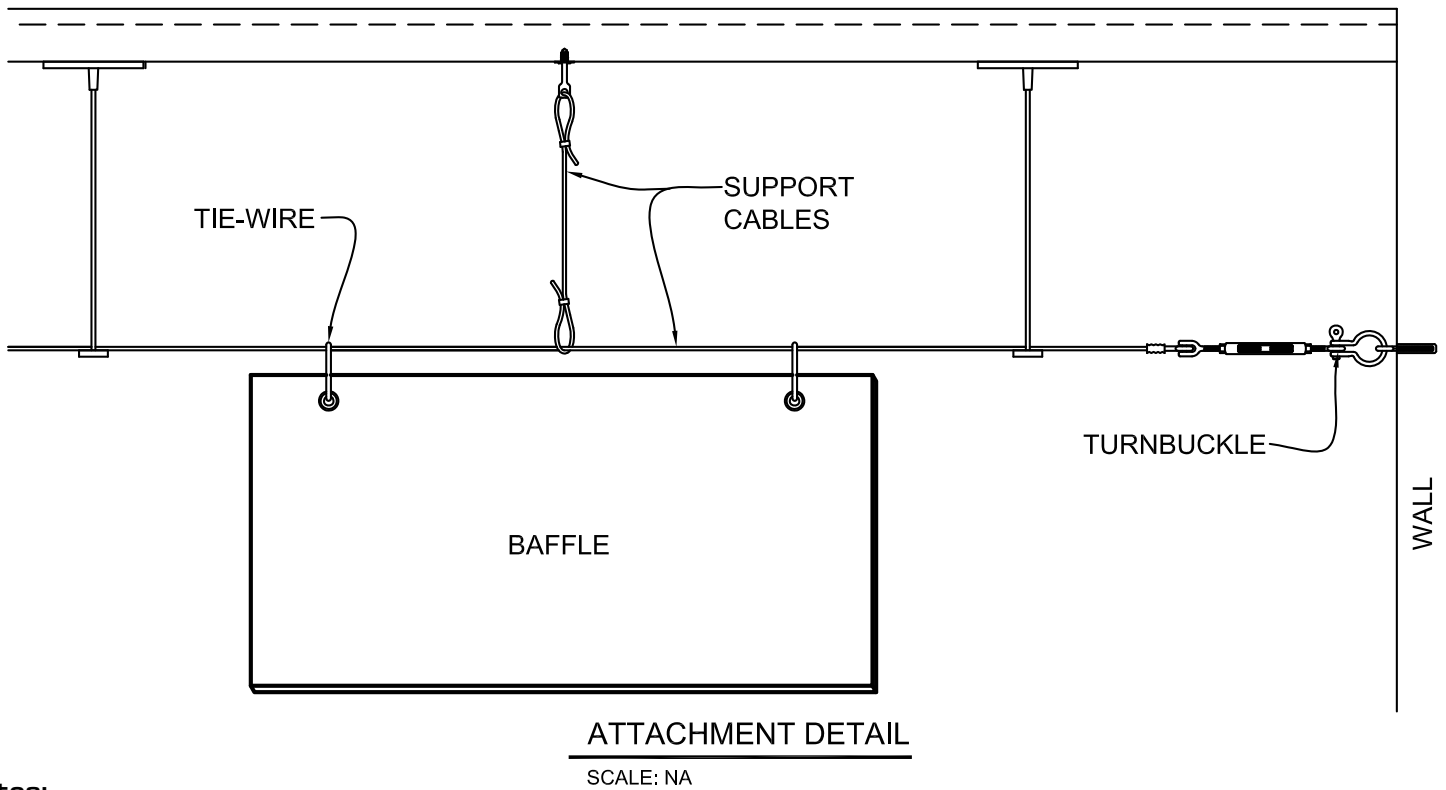
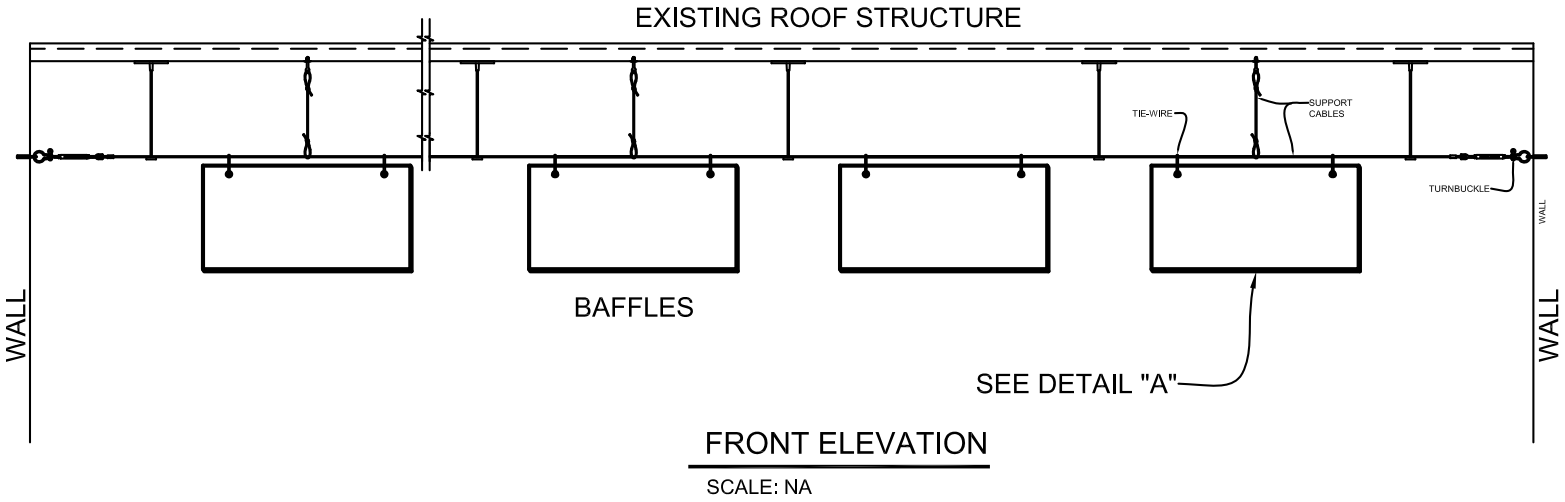
ALPHASORB[®] PVC PLASTIC SOUND Baffle INSTALLATION INSTRUCTIONS

ATTACHMENT WITH GRID CLIP



ALPHASORB[®] PVC PLASTIC SOUND Baffle INSTALLATION INSTRUCTIONS

CABLE INSTALLATION



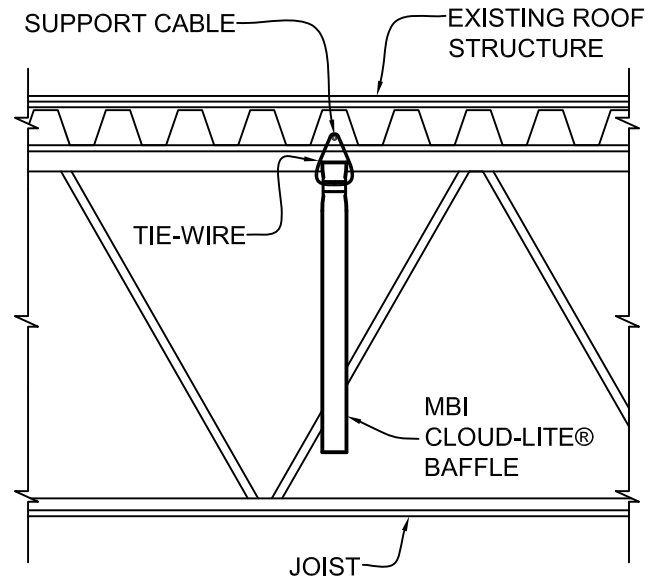
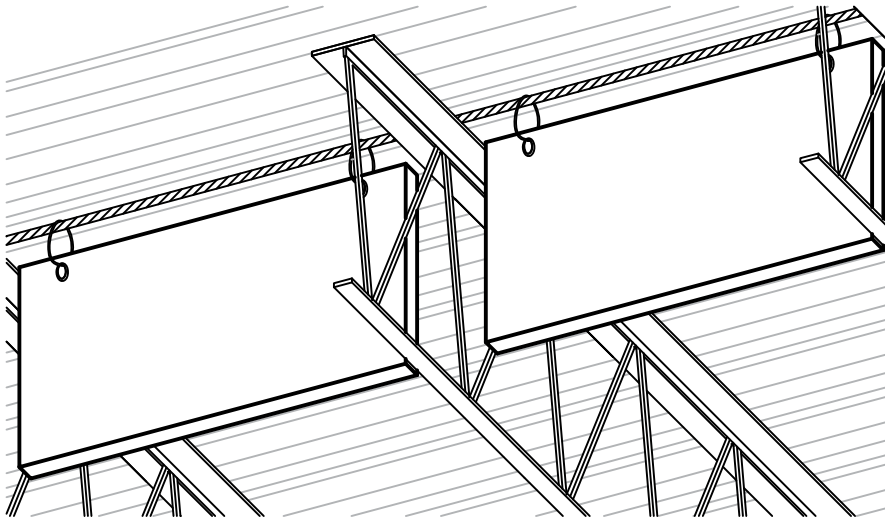
Notes:

1. Secure anchors at both ends into wall. Tighten cable using turnbuckles. On extremely long runs of cable, intermediate vertical cable support may be required.
2. Tie-wire to be snugged up tight to prevent slippage



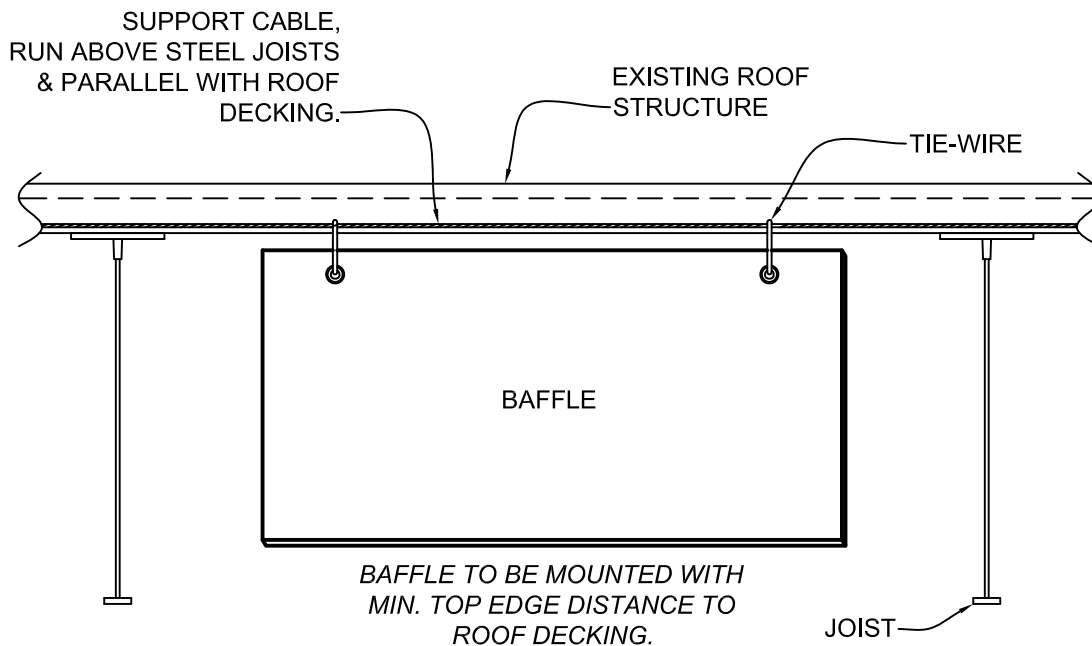
ALPHASORB[®] PVC PLASTIC SOUND Baffle INSTALLATION INSTRUCTIONS

CABLE TOP CHORD



SIDE ELEVATION

SCALE: NA



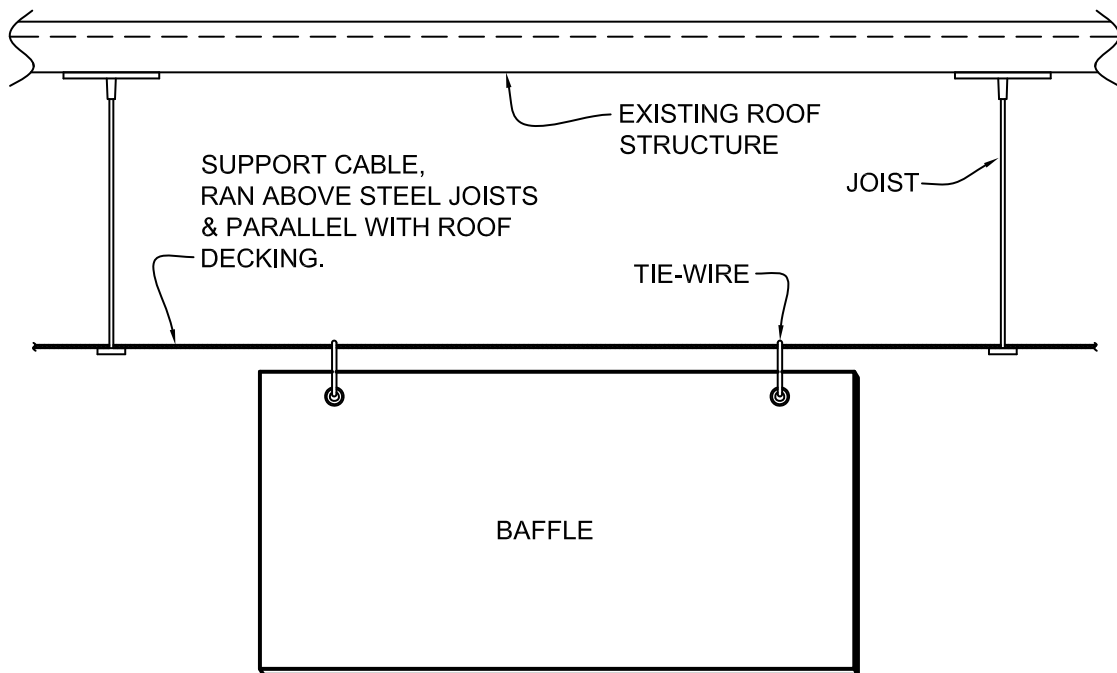
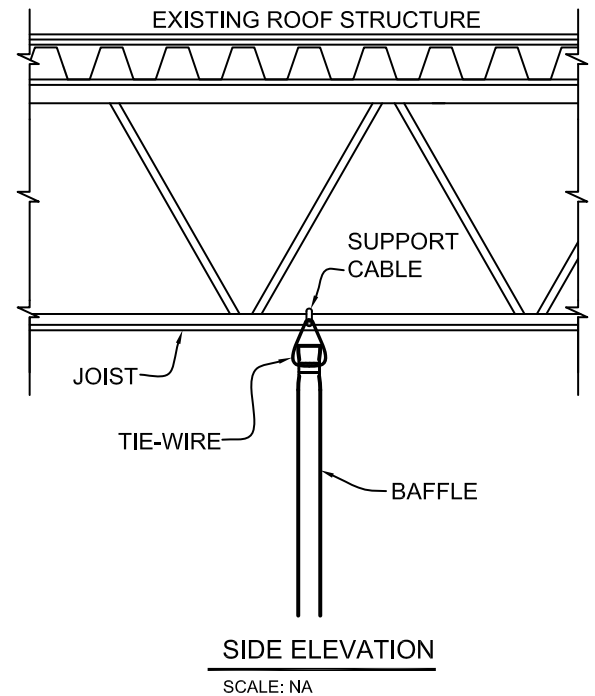
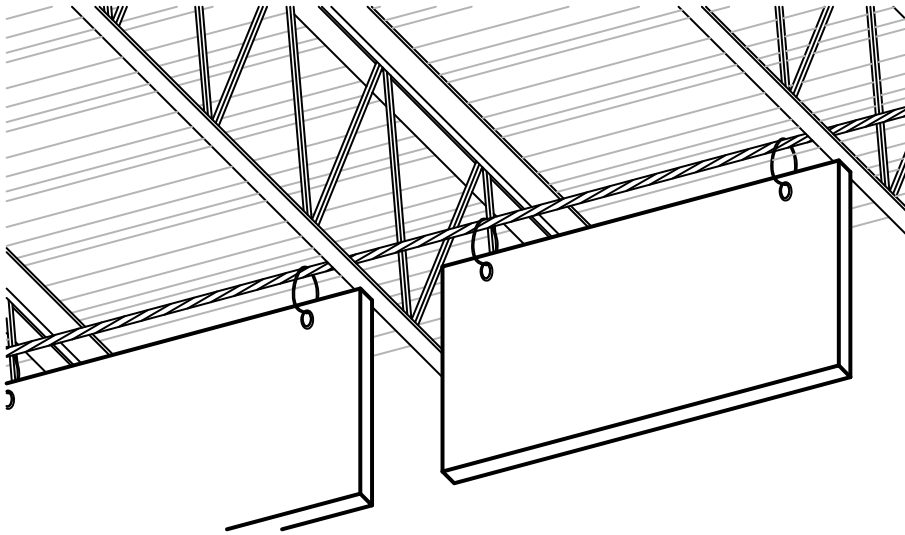
Notes:

1. Cables are stretched perpendicular to bar joists and parallel to deck flutes. Cable can be installed high over top of bar joist which will provide a natural intermittent support for the cable.
2. Tie-wire to be snugged up tight to prevent slippage



ALPHASORB[®] PVC PLASTIC SOUND Baffle INSTALLATION INSTRUCTIONS

CABLE BOTTOM CHORD



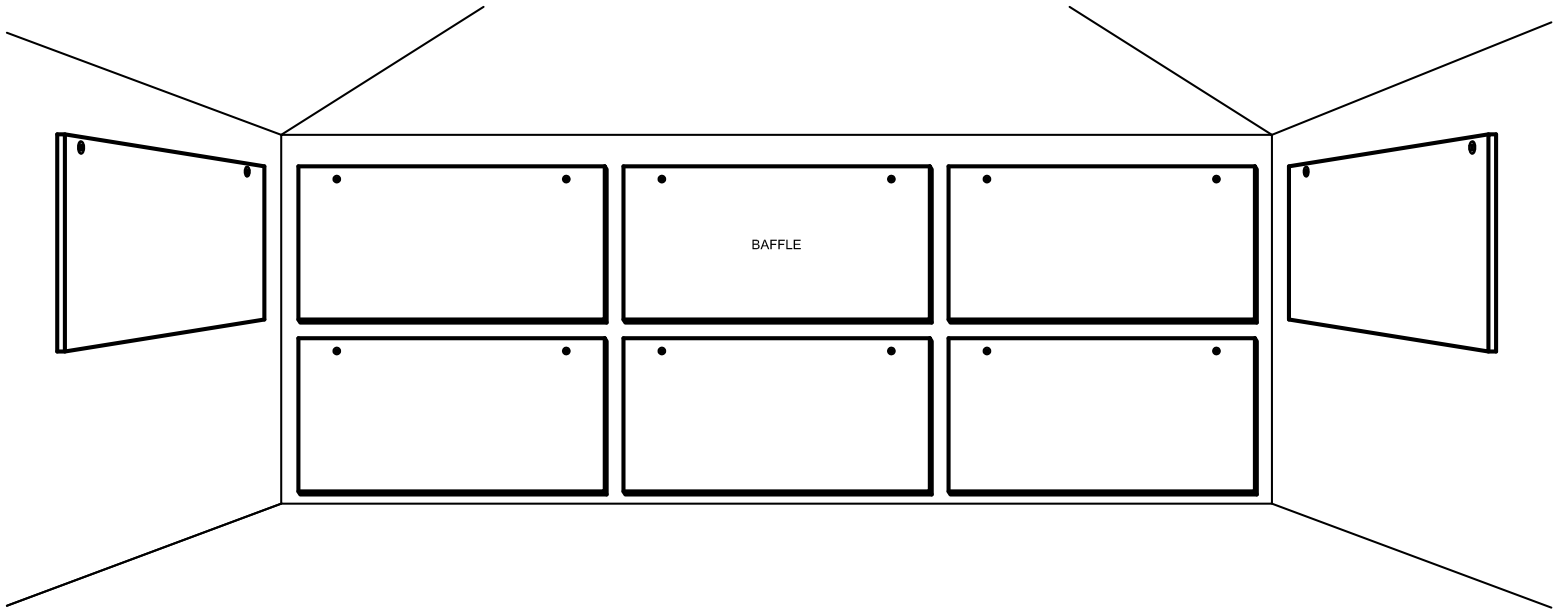
Notes:

1. Cable is stretched through joist web, resting on bottom chord.
2. Tie-wire to be snugged up tight to prevent slippage



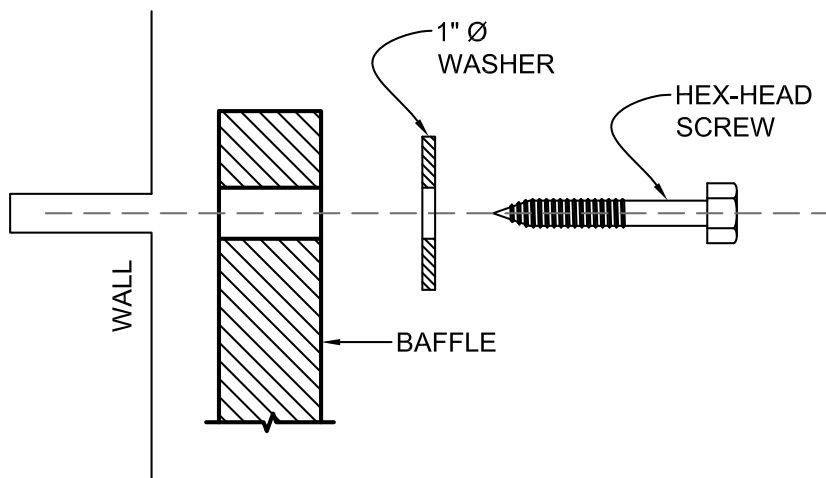
ALPHASORB[®] PVC PLASTIC SOUND Baffle INSTALLATION INSTRUCTIONS

WALL ATTACHMENT WASHERS



FRONT ELEVATION

SCALE: NA



ATTACHMENT DETAIL

SCALE: NA

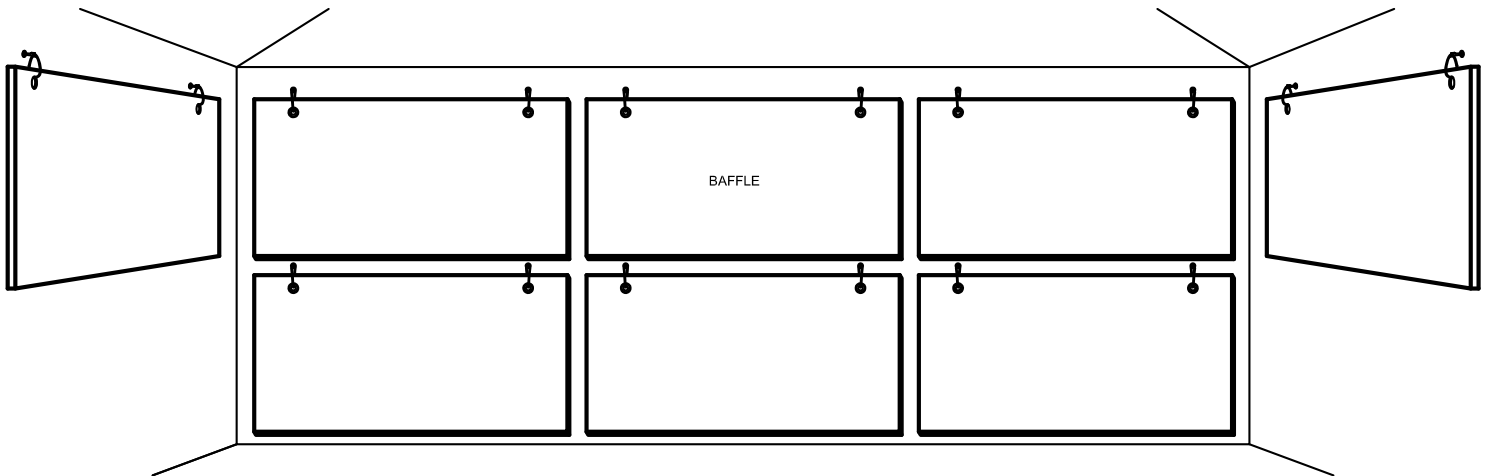
Notes:

1. Do not over-tighten hardware. Doing so can cause bottom of panel to kick out from the wall.



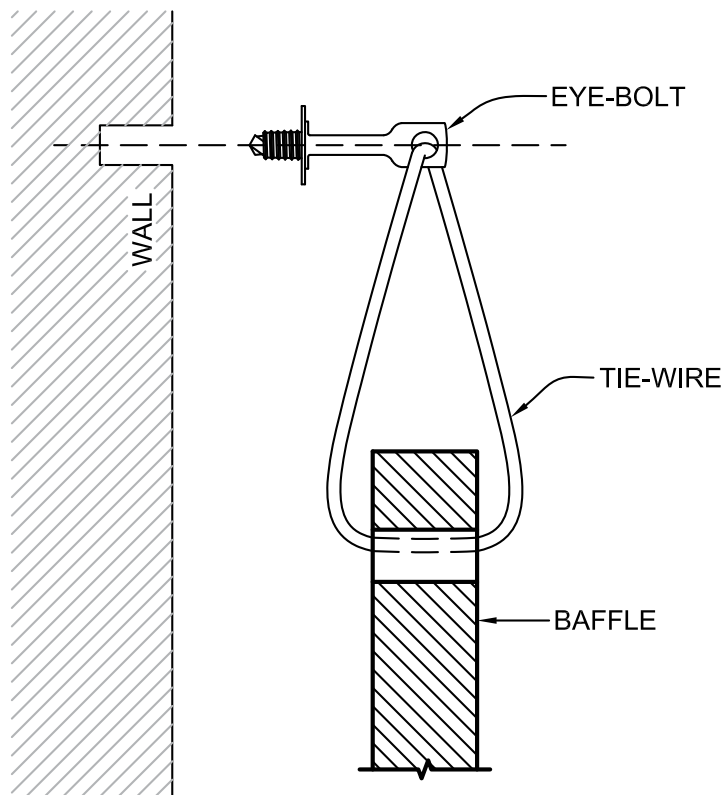
ALPHASORB[®] PVC PLASTIC SOUND Baffle INSTALLATION INSTRUCTIONS

WALL ATTACHMENT EYEBOLT



FRONT ELEVATION

SCALE: NA



ATTACHMENT DETAIL

SCALE: NA

Notes:

1. Baffle attached to eyebolts with air space for increased acoustical absorption. Attachment is made with tie wraps, tie wires, or appropriate fasteners.
2. Tie wire to be snugged up to cable to prevent slippage.

