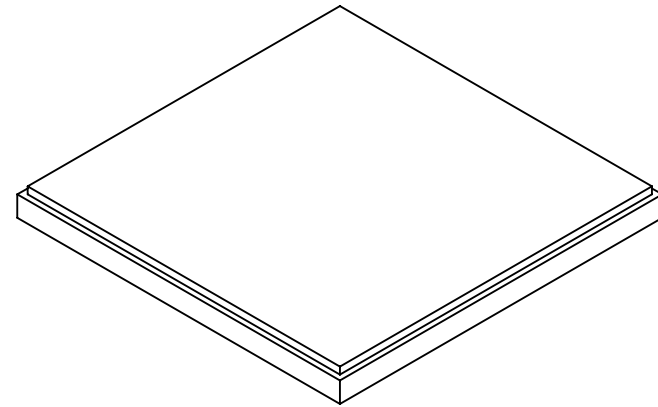
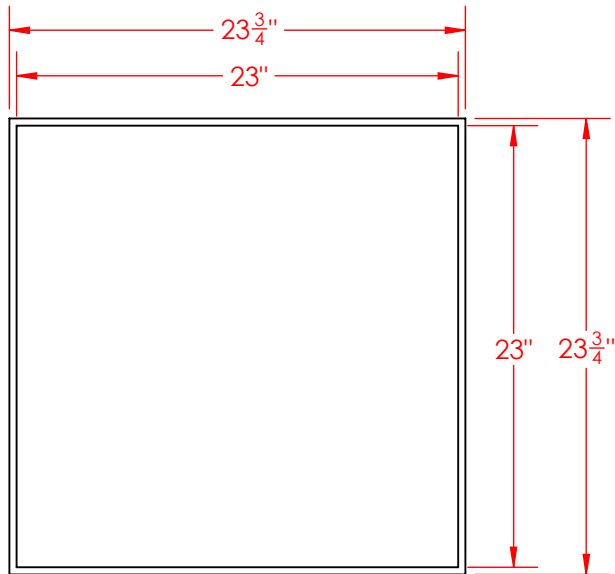
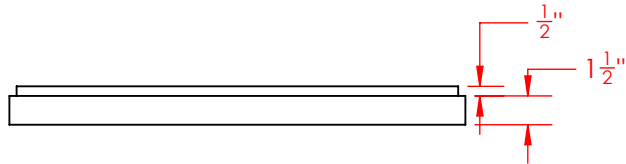


REVISIONS			
REV.	DESCRIPTION	DATE	APPROVED
A	Initial Release	1/8/2019	



**PROPRIETARY AND CONFIDENTIAL**  
 THE INFORMATION CONTAINED IN THIS DRAWING IS THE SOLE PROPERTY OF ACOUSTICAL SOLUTIONS. ANY REPRODUCTION IN PART OR AS A WHOLE WITHOUT THE WRITTEN PERMISSION OF ACOUSTICAL SOLUTIONS IS PROHIBITED.

MATERIAL Natural Melamine Foam  
 FINISH Varies

UNLESS OTHERWISE SPECIFIED:  
 DIMENSIONS ARE IN INCHES  
 TOLERANCES ARE:  
 ANGLES:  $\pm 1^\circ$   
 FRACTIONAL:  $4\% \pm 1/16$   
 DECIMALS:  $4\% \pm 0.05$   
 DIMENSIONS REFLECT FACTORY CONDITIONS



DRAWN	
CHECKED	
APPROVED	



DESCRIPTION  
 AlphaSorb® Drop-In Foam Ceiling Tile

DWG. NO. TA-EA-015-2424-002

SIZE  
 A

SCALE: 1:10 SHEET 1 OF 1 DO NOT SCALE DRAWING