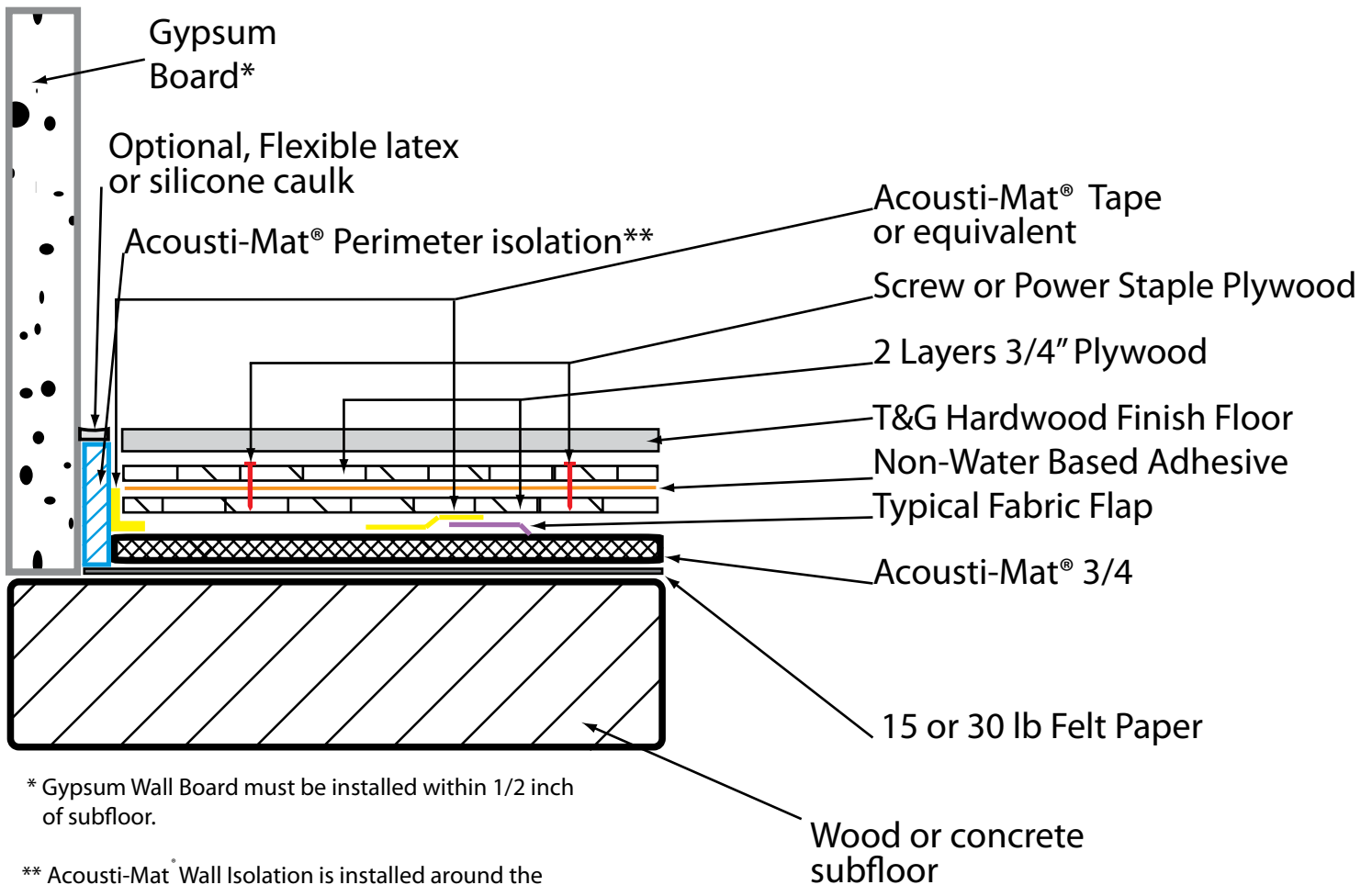


Acousti-Mat[®] 3/4 Wall Isolation Detail

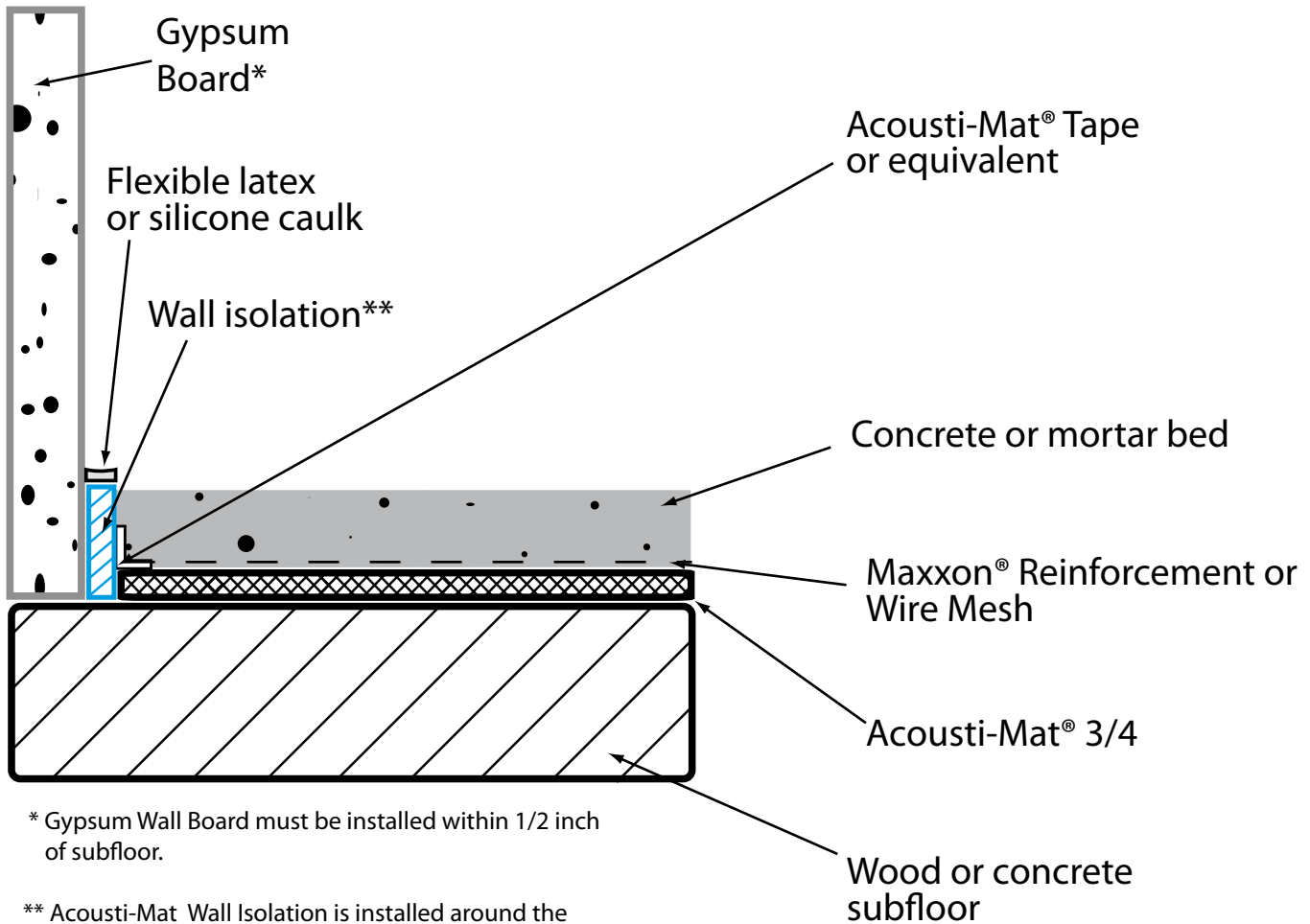


* Gypsum Wall Board must be installed within 1/2 inch of subfloor.

** Acousti-Mat[®] Wall Isolation is installed around the perimeter of the entire room to receive Acousti-Mat, and around any floor penetrations such as toilet collars, electrical, plumbing, etc.



Acousti-Mat[®] 3/4 Wall Isolation Detail

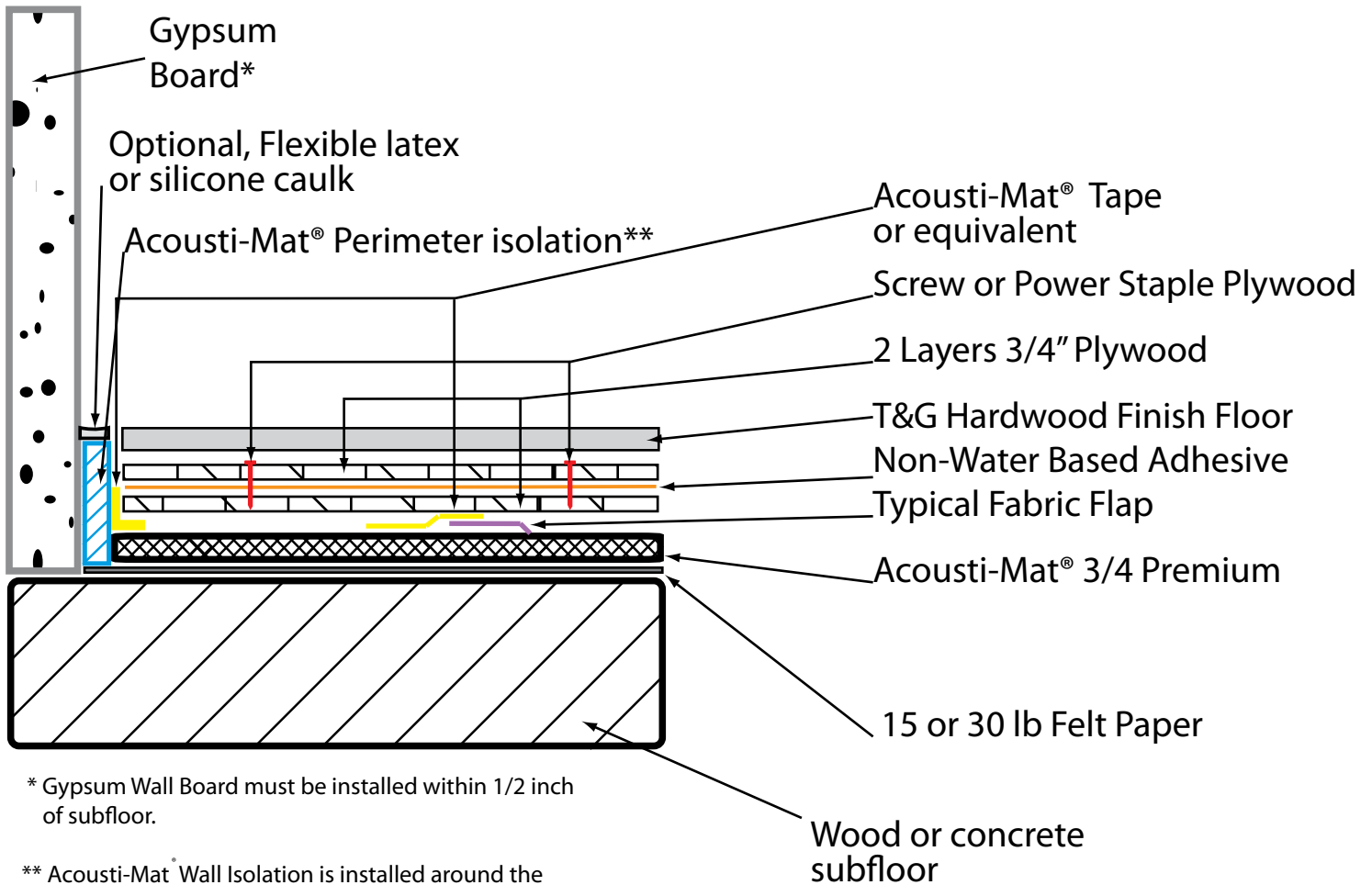


* Gypsum Wall Board must be installed within 1/2 inch of subfloor.

** Acousti-Mat Wall Isolation is installed around the perimeter of the entire room to receive Acousti-Mat, and around any floor penetrations such as toilet collars, electrical, plumbing, etc.



Acousti-Mat[®] 3/4 Premium Wall Isolation Detail

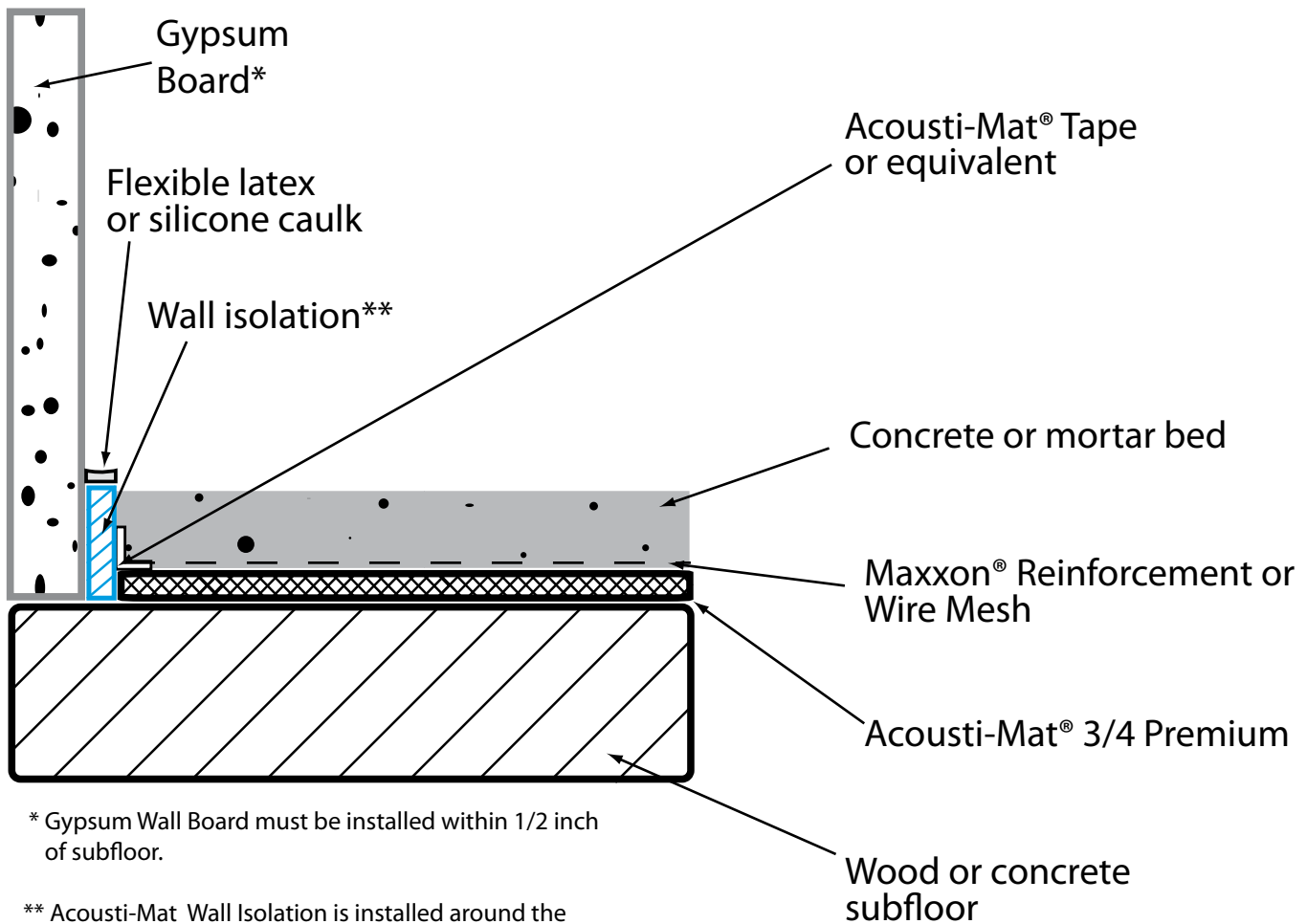


* Gypsum Wall Board must be installed within 1/2 inch of subfloor.

** Acousti-Mat[®] Wall Isolation is installed around the perimeter of the entire room to receive Acousti-Mat, and around any floor penetrations such as toilet collars, electrical, plumbing, etc.



Acousti-Mat[®] 3/4 Premium Wall Isolation Detail

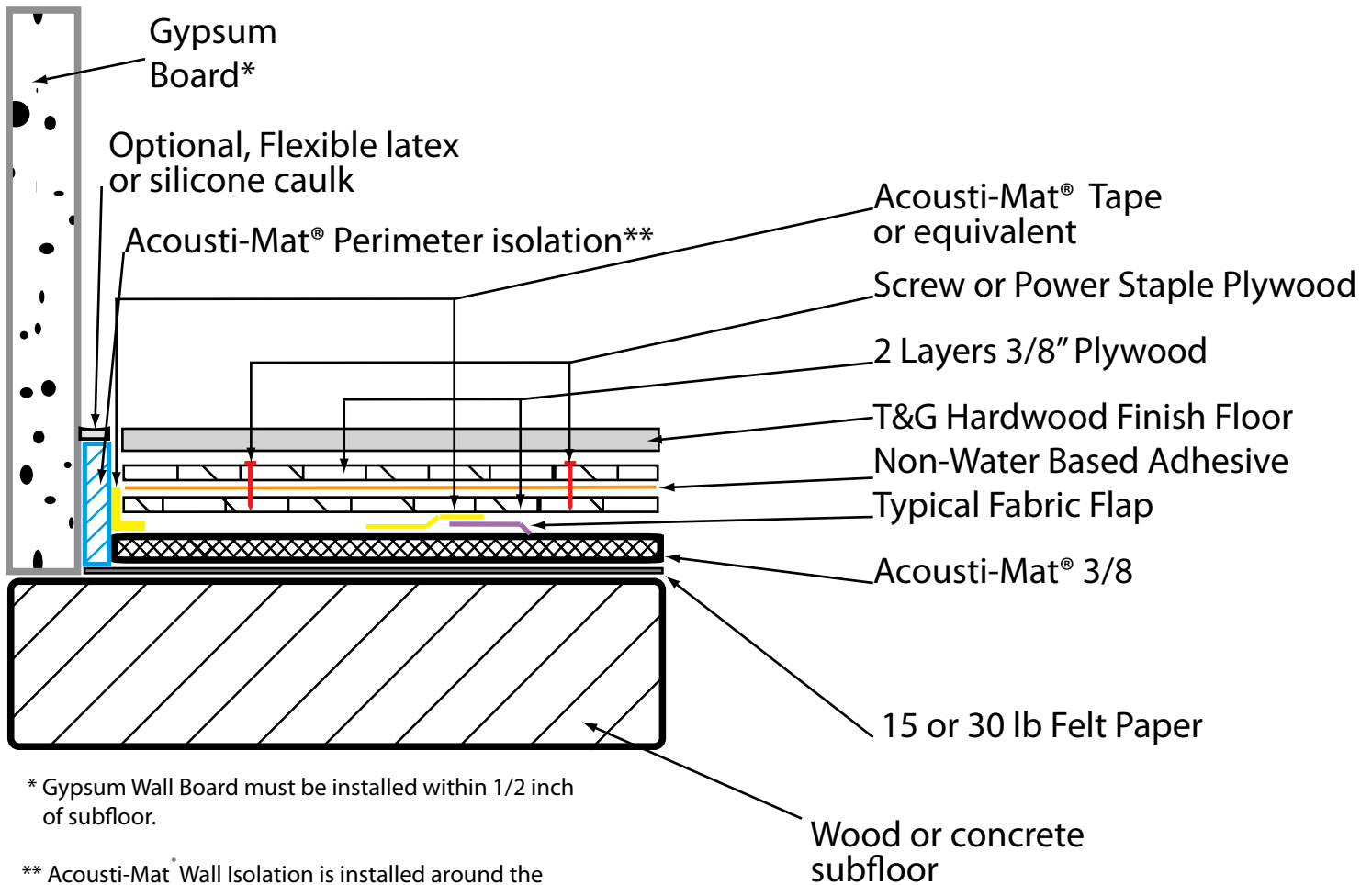


* Gypsum Wall Board must be installed within 1/2 inch of subfloor.

** Acousti-Mat Wall Isolation is installed around the perimeter of the entire room to receive Acousti-Mat, and around any floor penetrations such as toilet collars, electrical, plumbing, etc.



Acousti-Mat[®] 3/8 Wall Isolation Detail

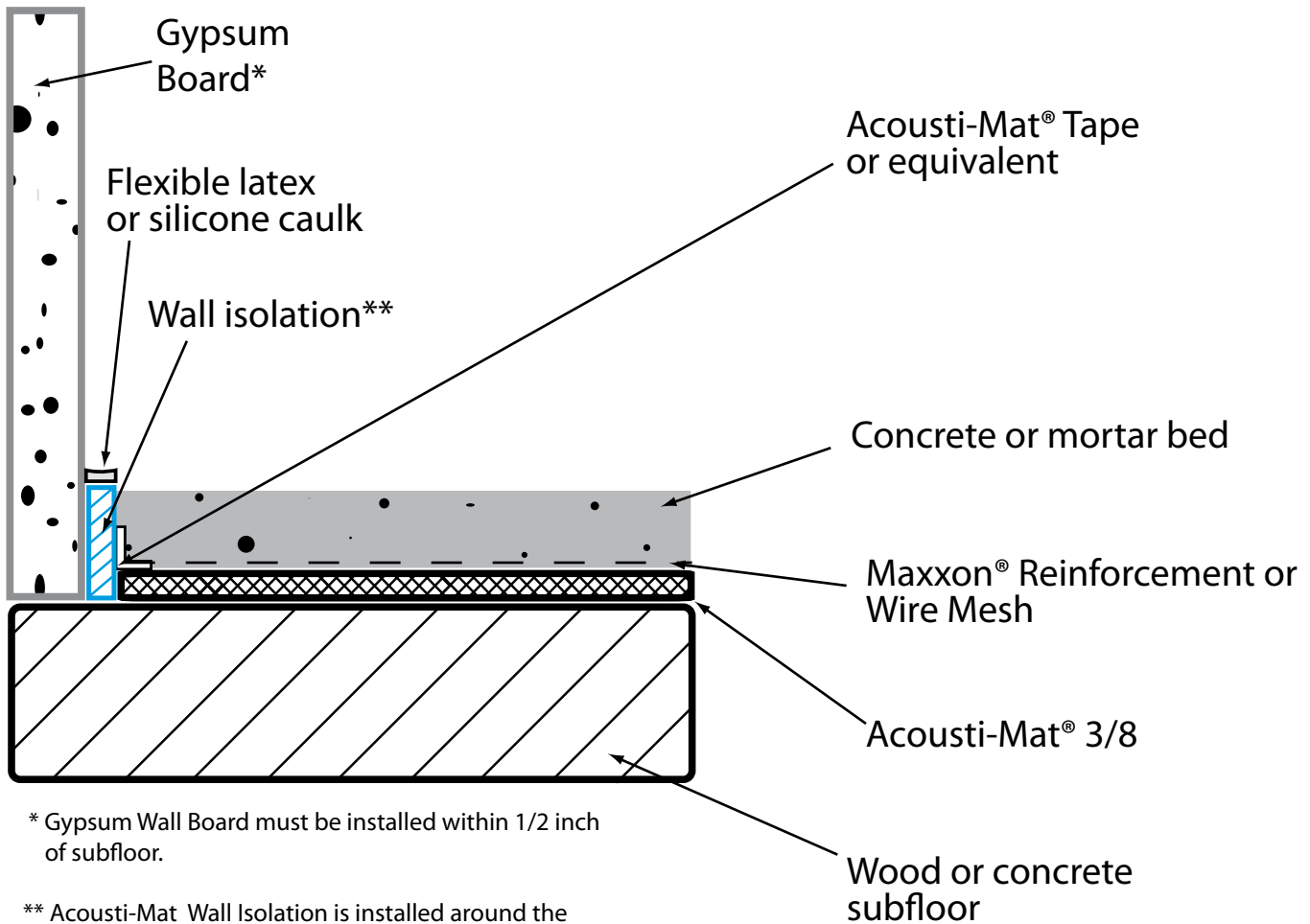


* Gypsum Wall Board must be installed within 1/2 inch of subfloor.

** Acousti-Mat[®] Wall Isolation is installed around the perimeter of the entire room to receive Acousti-Mat, and around any floor penetrations such as toilet collars, electrical, plumbing, etc.



Acousti-Mat[®] 3/4 Wall Isolation Detail

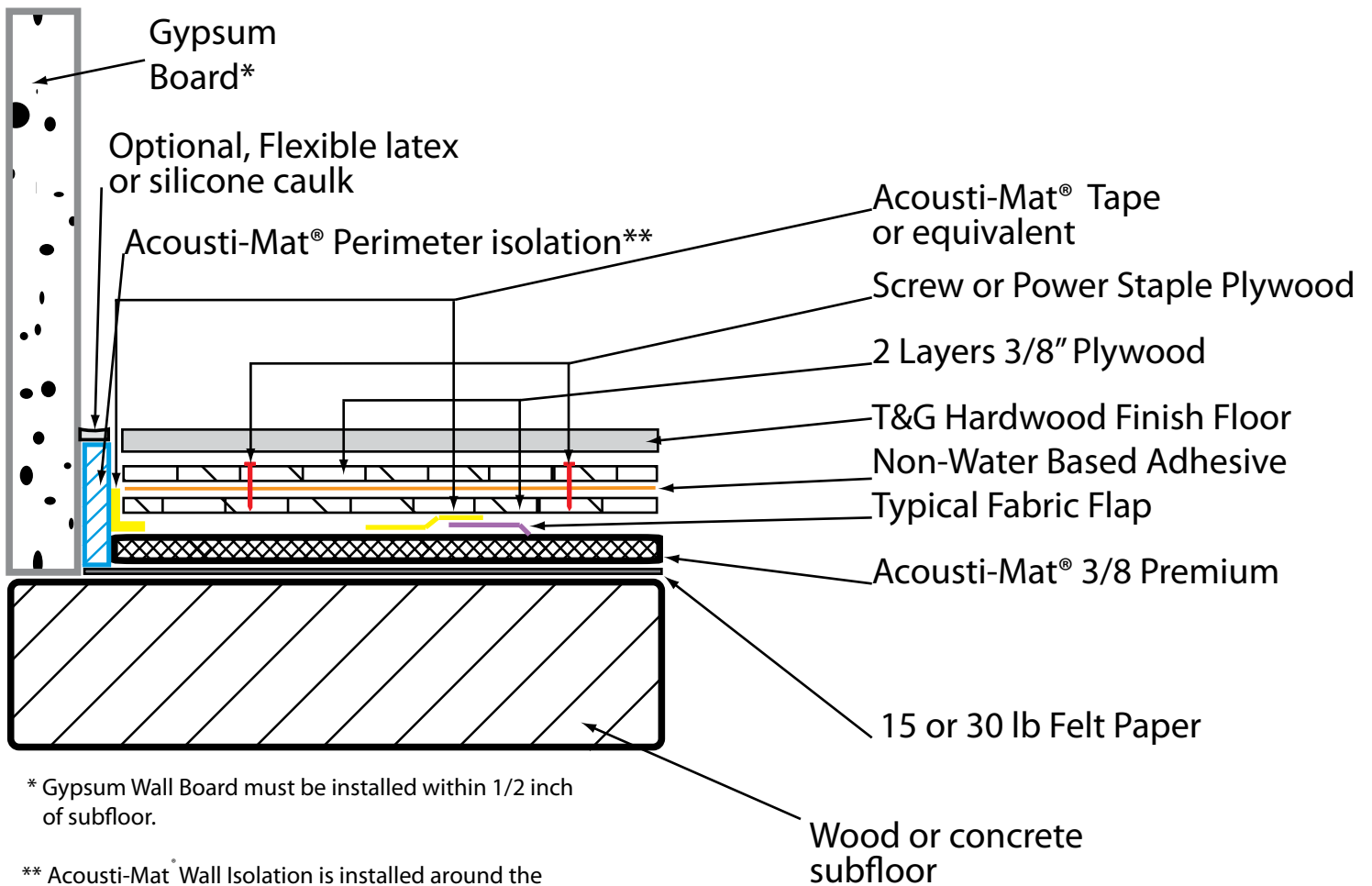


* Gypsum Wall Board must be installed within 1/2 inch of subfloor.

** Acousti-Mat Wall Isolation is installed around the perimeter of the entire room to receive Acousti-Mat, and around any floor penetrations such as toilet collars, electrical, plumbing, etc.



Acousti-Mat[®] 3/8 Premium Wall Isolation Detail

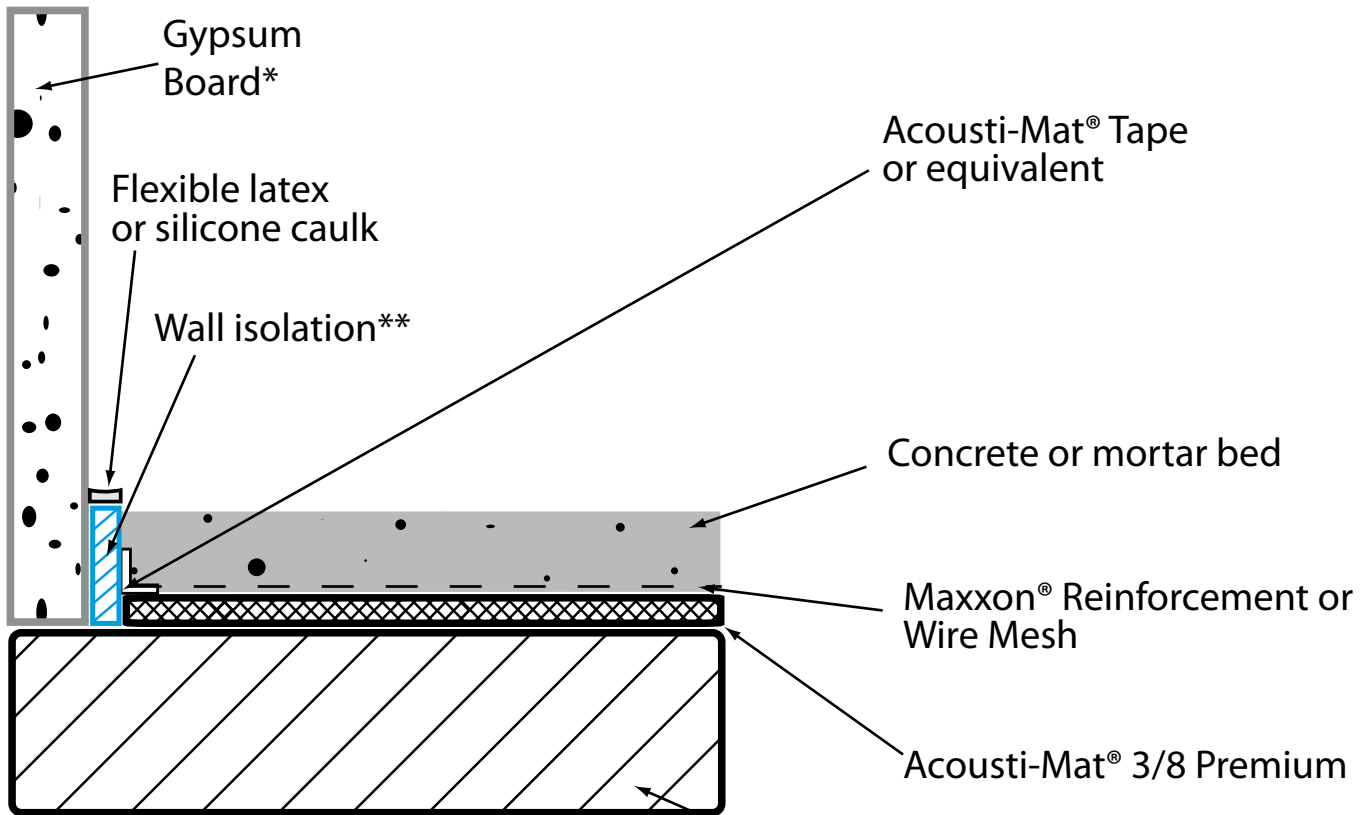


* Gypsum Wall Board must be installed within 1/2 inch of subfloor.

** Acousti-Mat[®] Wall Isolation is installed around the perimeter of the entire room to receive Acousti-Mat, and around any floor penetrations such as toilet collars, electrical, plumbing, etc.



Acousti-Mat[®] 3/8 Premium Wall Isolation Detail



* Gypsum Wall Board must be installed within 1/2 inch of subfloor.

** Acousti-Mat Wall Isolation is installed around the perimeter of the entire room to receive Acousti-Mat, and around any floor penetrations such as toilet collars, electrical, plumbing, etc.

