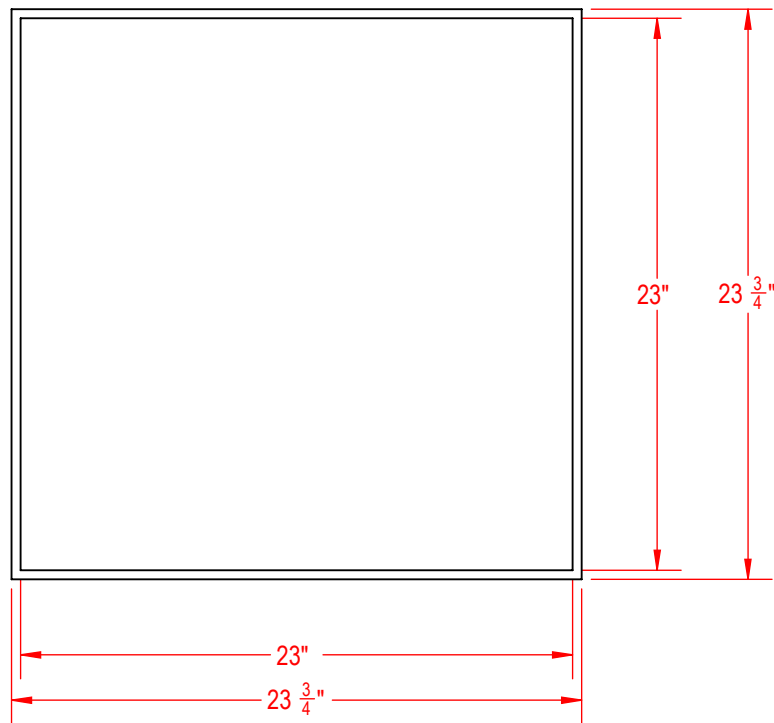
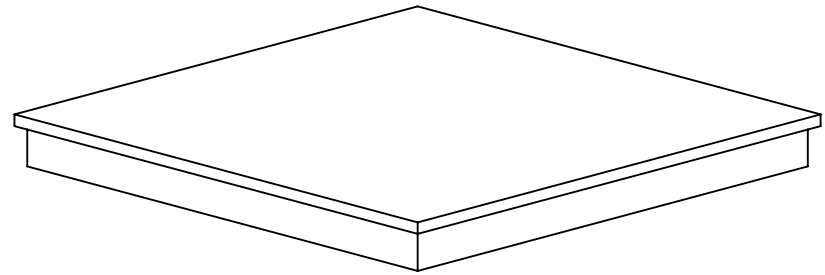



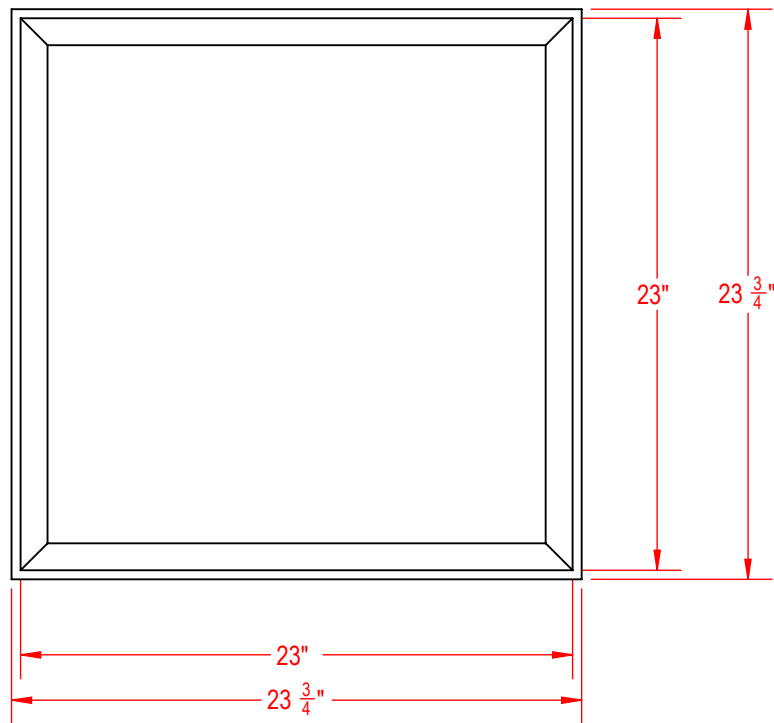
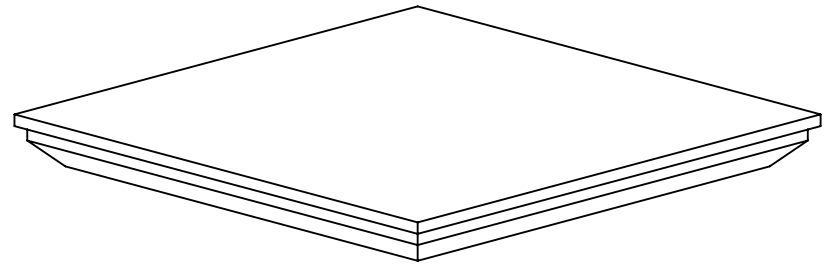
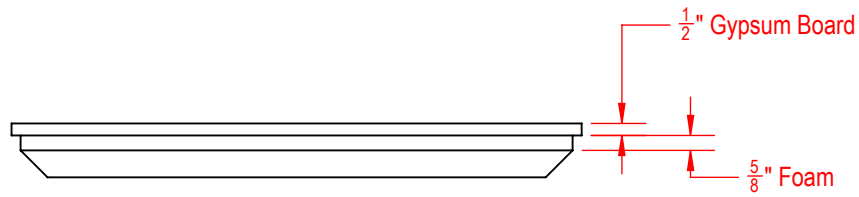
REVISIONS			
REV.	DESCRIPTION	DATE	APPROVED
A	Initial release	3/21/2018	RH





<b>PROPRIETARY AND CONFIDENTIAL</b> THE INFORMATION CONTAINED IN THIS DRAWING IS THE SOLE PROPERTY OF ACOUSTICAL SOLUTIONS. ANY REPRODUCTION IN PART OR AS A WHOLE WITHOUT THE WRITTEN PERMISSION OF ACOUSTICAL SOLUTIONS IS PROHIBITED.	UNLESS OTHERWISE SPECIFIED: DIMENSIONS ARE IN INCHES TOLERANCES ARE: ANGLES: $\pm 1^\circ$ FRACTIONAL: 4% $\pm 1/16$ DECIMALS: 4% $\pm 0.05$ DIMENSIONS REFLECT FACTORY CONDITIONS		 <small>acousticalsolutions.com   2420 Grenoble Rd. Richmond, VA 23294</small>	
	MATERIAL melamine foam FINISH varies		THIRD ANGLE PROJECTION	DRAWN BY R.HENRY DATE 3/21/2018

SIZE  
**A**

REVISIONS			
REV.	DESCRIPTION	DATE	APPROVED
A	Initial release	3/21/2018	RH



<b>PROPRIETARY AND CONFIDENTIAL</b> THE INFORMATION CONTAINED IN THIS DRAWING IS THE SOLE PROPERTY OF ACOUSTICAL SOLUTIONS. ANY REPRODUCTION IN PART OR AS A WHOLE WITHOUT THE WRITTEN PERMISSION OF ACOUSTICAL SOLUTIONS IS PROHIBITED.	UNLESS OTHERWISE SPECIFIED: DIMENSIONS ARE IN INCHES TOLERANCES ARE: ANGLES: ± 1° FRACTIONAL: 4% ± 1/16 DECIMALS: 4% ± 0.05 DIMENSIONS REFLECT FACTORY CONDITIONS		 <small>acousticalsolutions.com   2420 Grenoble Rd. Richmond, VA 23294</small>	
	MATERIAL melamine foam FINISH varies		DESCRIPTION <b>AlphaSorb® High CAC Foam Ceiling Tile - Bevel</b> DWG. NO. TA-EA-016-2424-001-C SIZE <b>A</b>	
 THIRD ANGLE PROJECTION		DRAWN BY R.HENRY	DATE 3/21/2018	SCALE: 1:8 SHEET 1 OF 2 DO NOT SCALE DRAWING