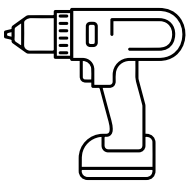


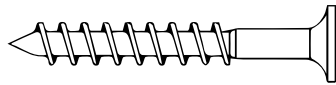
## ALPHASORB<sup>®</sup> SERIES 300 POLYESTER ACOUSTIC PANELS INSTALLATION INSTRUCTIONS

These installation suggestions consist of a common process for tile installation. Installers should rely upon their own professional experience and understanding of their unique requirements to ensure a successful install.

### TOOLS NEEDED

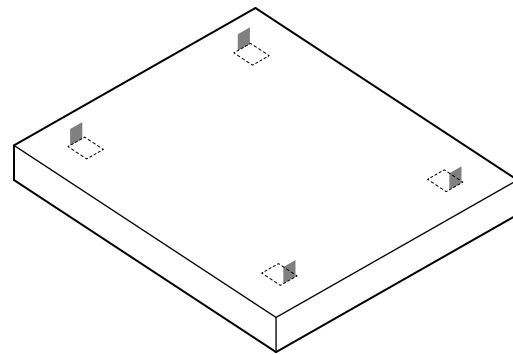


Drill



Screw

### ITEMS INCLUDED

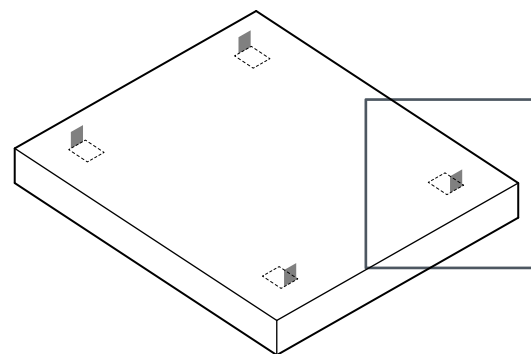
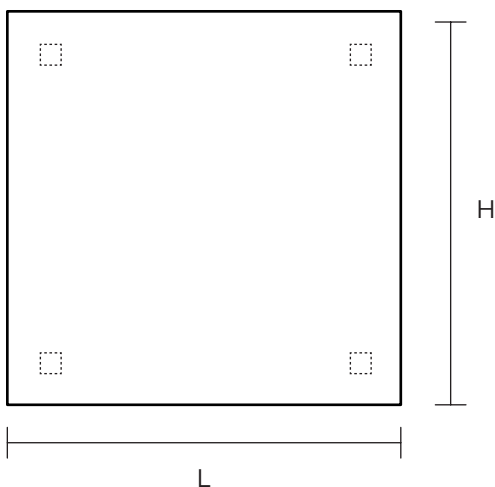


Tile

### INSTRUCTIONS

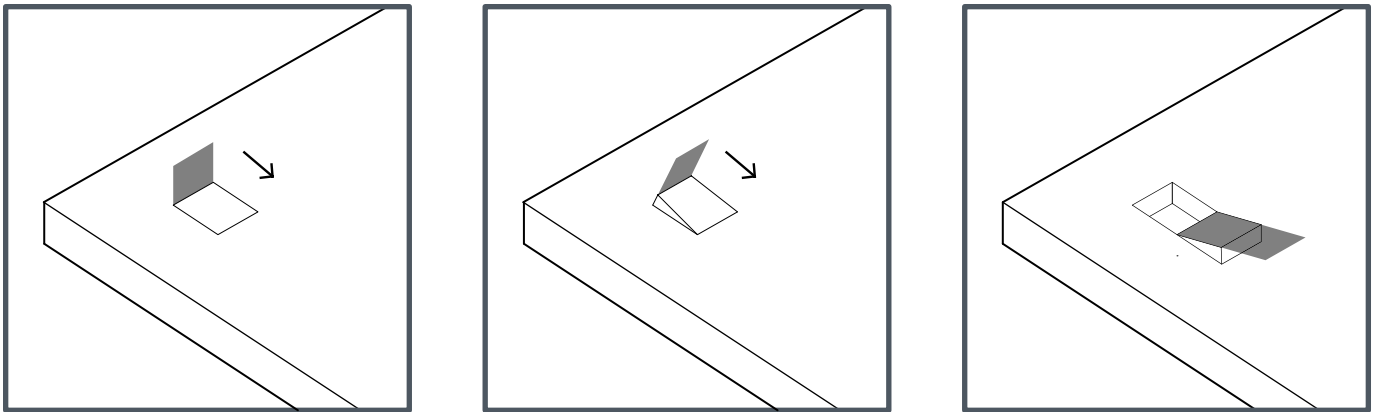
1. Unwrap tile from plastic wrap. Confirm tile dimensions match your needs.

2. Locate the strip at all four corners and pull it open to reveal the secret access window.



## ALPHASORB<sup>®</sup> SERIES 300 POLYESTER ACOUSTIC PANELS INSTALLATION INSTRUCTIONS

3. Pull the strip to open the secret access window.



**Important:** Make sure to pull all of the secret access windows before install.

4. Use the drywall screw to mount.

5. Close all of the windows to finish installation.

