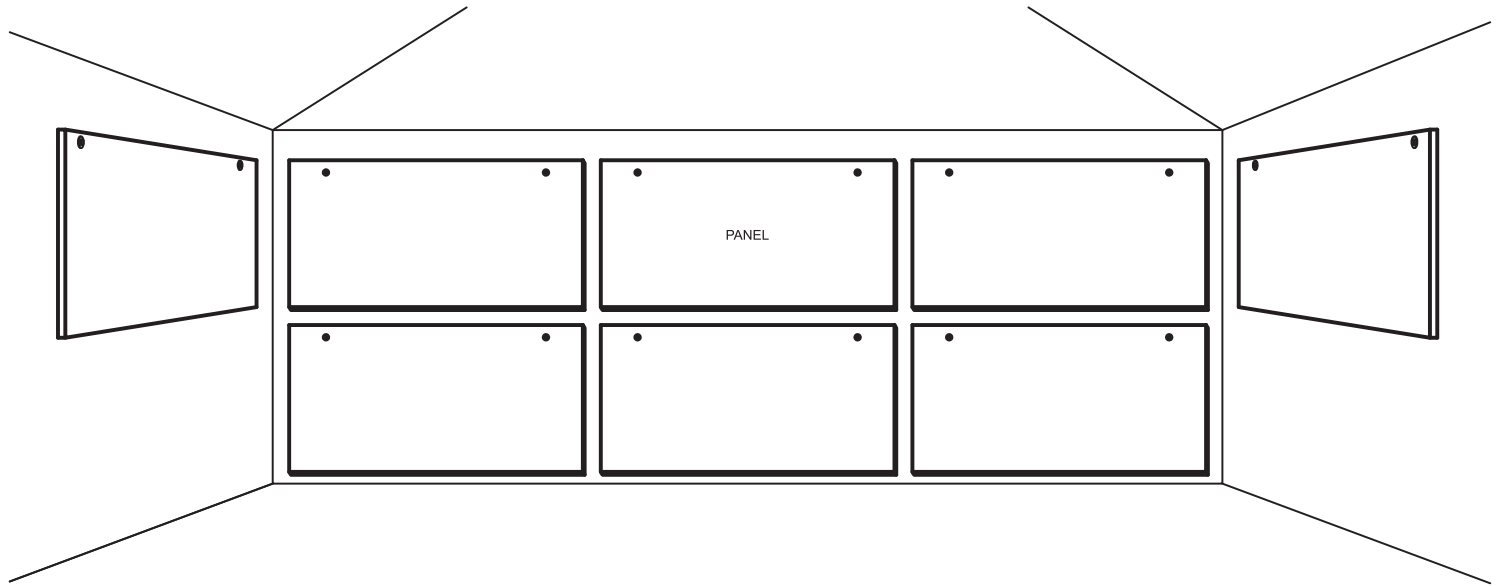
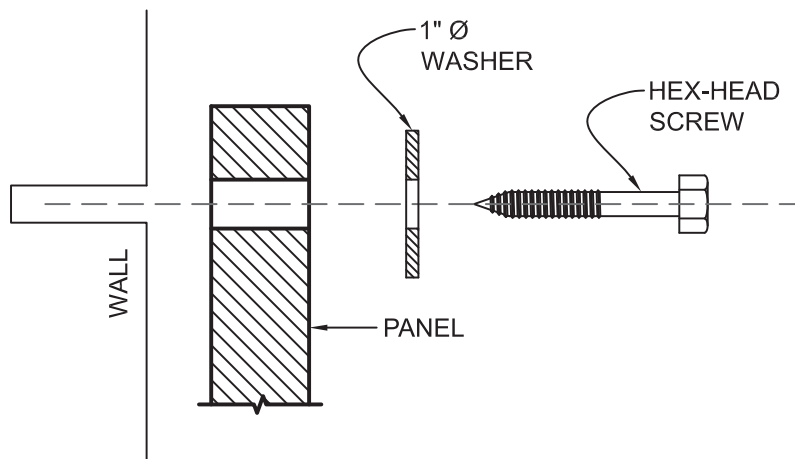


ALPHAENVIRO[®] RIPSTOP ACOUSTIC PANEL INSTALLATION INSTRUCTIONS



1 FRONT ELEVATION
 CL-07 SCALE: NA

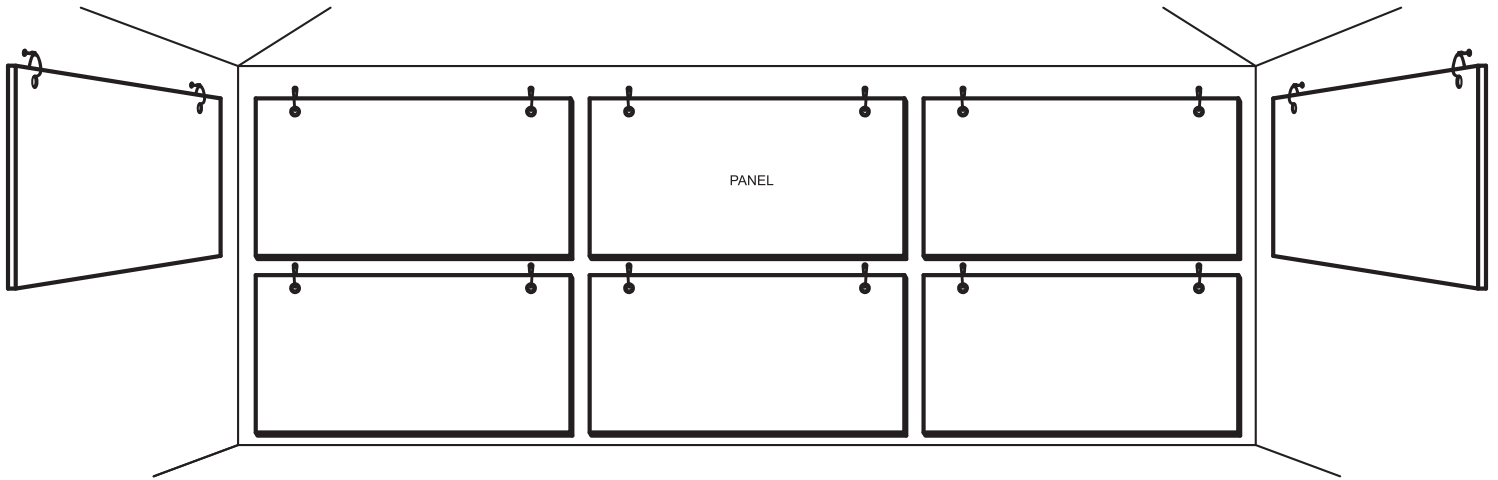


A ATTACHMENT DETAIL
 CL-07 SCALE: NA

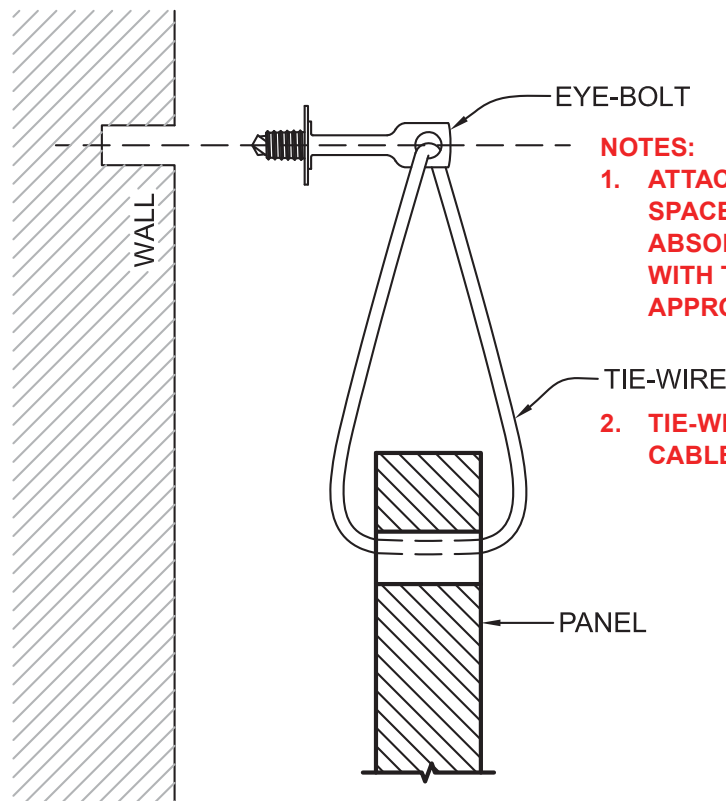
NOTE: DO NOT OVER TIGHTEN HARDWARE. DOING SO CAN CAUSE BOTTOM OF PANEL TO KICK OUT.



ALPHAENVIRO[®] RIPSTOP ACOUSTIC PANEL INSTALLATION INSTRUCTIONS



1
CL-08
FRONT ELEVATION
SCALE: NA



NOTES:

1. ATTACHED TO EYEBOLTS WITH AIR SPACE FOR INCREASED ACOUSTICAL ABSORPTION. ATTACHMENT IS MADE WITH TIE WRAPS, TIE WIRES, OR APPROPRIATE FASTENERS.
2. TIE-WIRE TO BE SNUGGED UP TIGHT TO CABLE SO TO PREVENT SLIPPAGE.

A
CL-08
ATTACHMENT DETAIL
SCALE: NA

