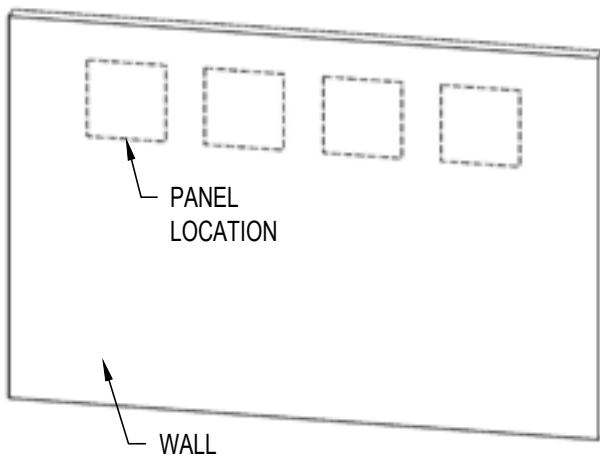


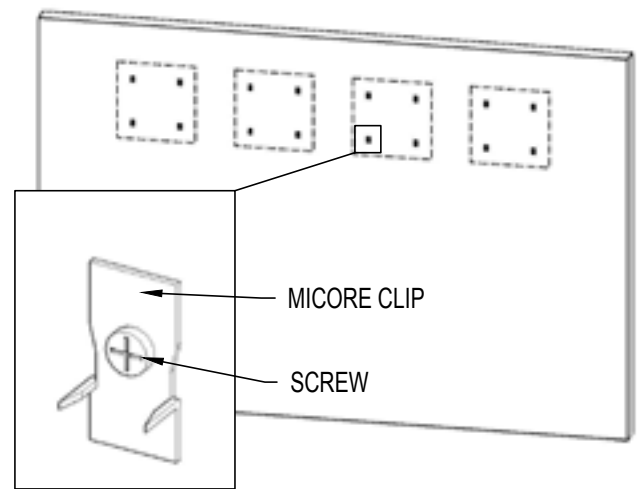
ALPHASORB[®] TACKABLE ACOUSTIC PANELS INSTALL GUIDE

MICORE NAIL CLIPS AND ADHESIVE

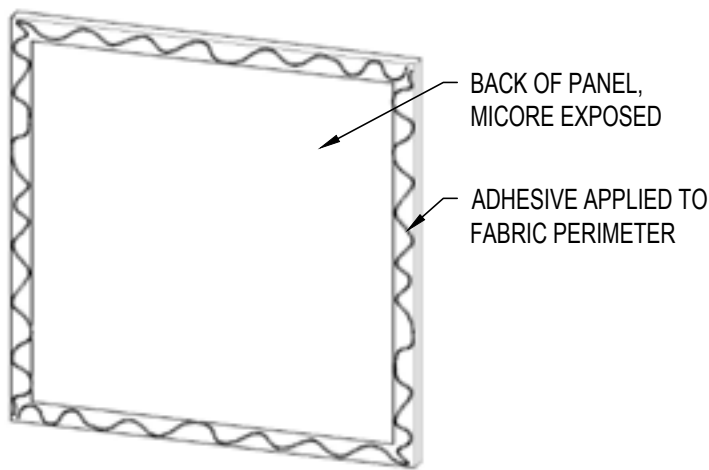
1. LAY OUT THE PANEL LOCATON ON THE WALL



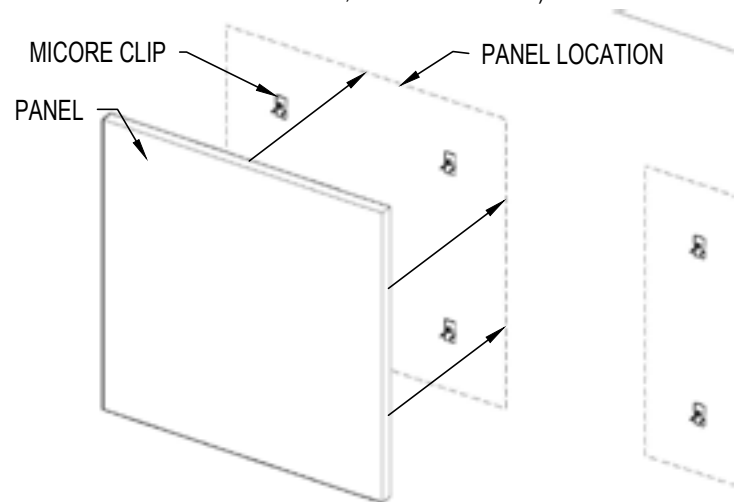
2. SECURE MICORE NAIL CLIPS TO WALL USING APPROPRIATE FASTENERS. CLIPS SHOULD BE LOCATED TO ENSURE THERE IS NO CONTACT BETWEEN CLIPS & FABRIC.



3. APPLY A GENEROUS AMOUNT OF LIQUID NAILS OR CONSTRUCTION ADHESIVE TO PANEL ALONG THE PERIMETER OF THE FABRIC.



4. ENSURE PANEL IS LOCATED PROPERLY, PRESS PANEL FIRMLY TO WALL. (MAKE SURE THE MICORE CORE IS BEING IMPALED BY THE NAIL CLIPS, NOT THE FABRIC.)



ALPHASORB[®] TACKABLE ACOUSTIC PANELS INSTALL GUIDE

FINISHING NAILS AND ADHESIVE

Installation of tackable wall panels is simple.

1. Mark where you want the panel to be installed on the wall.
2. Apply a tennis ball-sized mound of construction adhesive on the back of the panel, about every 1.5 feet, 7-8 inches from the edge of the panel.
3. Place the back of the panel to the wall, firmly pressing on areas with adhesive, and adjusting to line up with the marks made in step 1.
4. Apply finishing nails along the edge of the panel while another person holds the panel in place.

