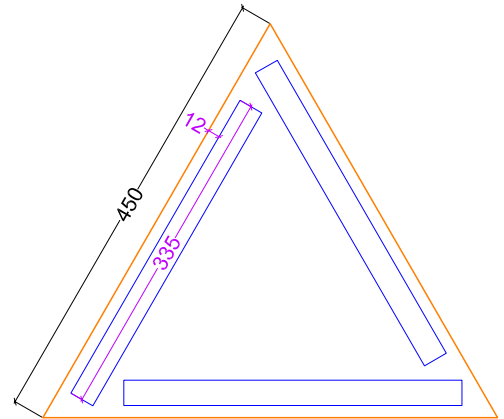
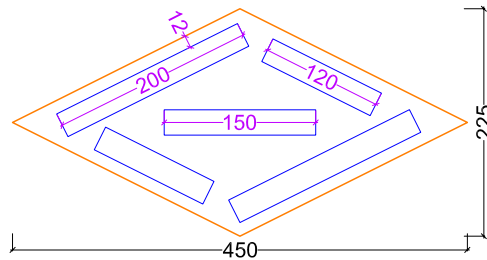
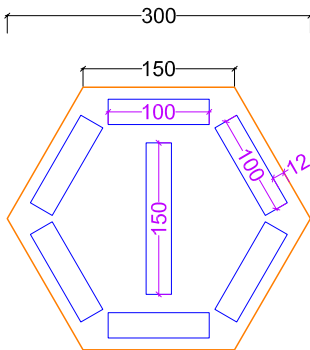
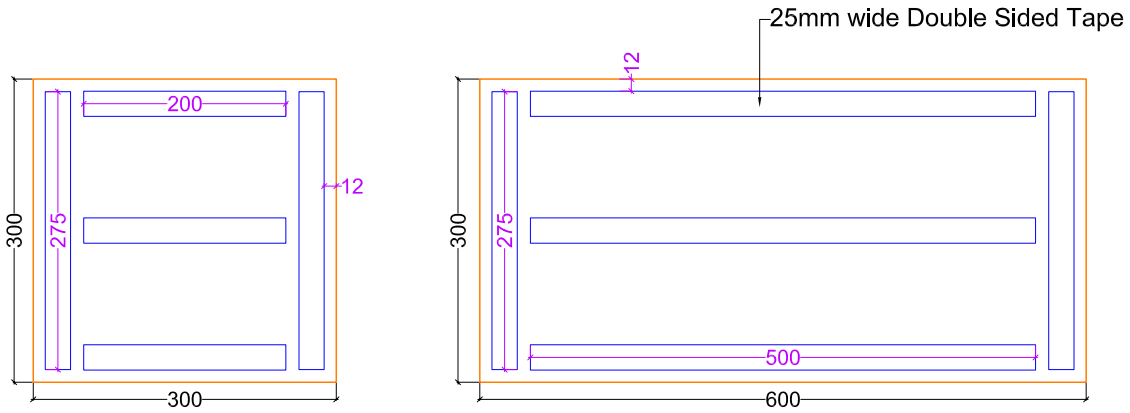


ALPHASORB[®] SERIES 200 POLYESTER ACOUSTIC PANELS CAD DRAWINGS



Note: All edges have 45 deg. chamfer:



← Note: adhesive tape applied to this side on all shapes

- Notes:
- All measurements are in mm
 - All shapes are 10mm thick

