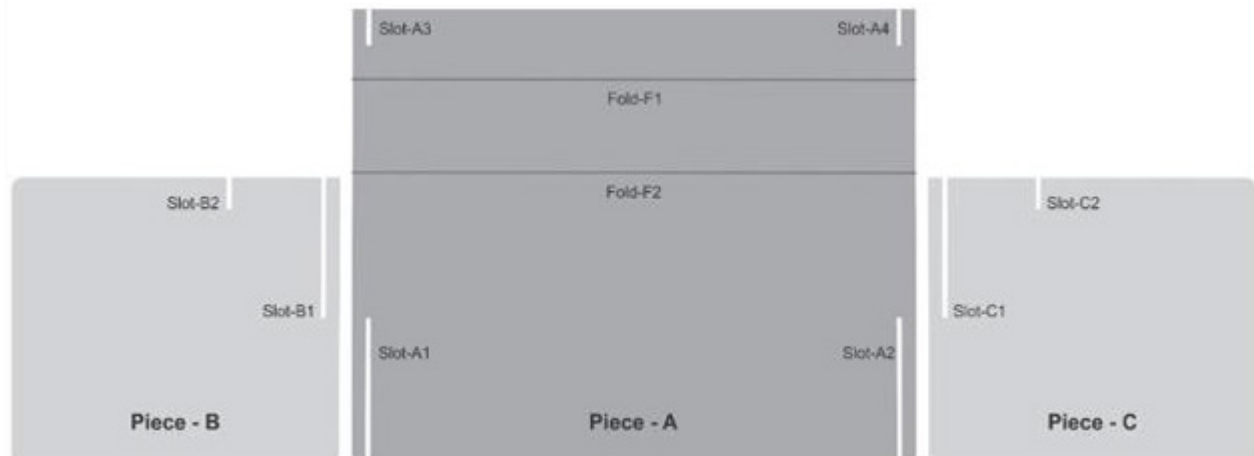


## PRIVACYSHIELD<sup>®</sup> DESKTOP PARTITION ASSEMBLY GUIDE

### Step 1:

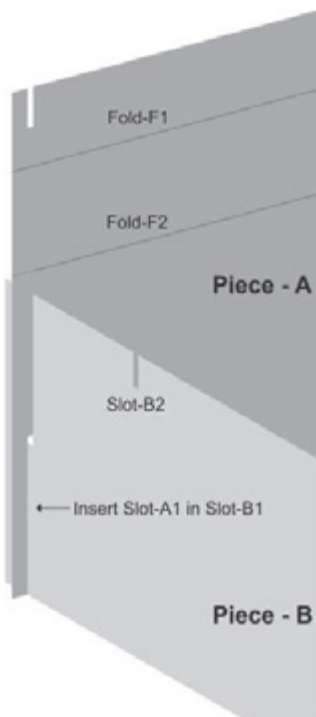
Carefully remove from packaging and lay flat. Please note pive and slot names of items in the diagram below.



*Keep all the pieces on the surface*

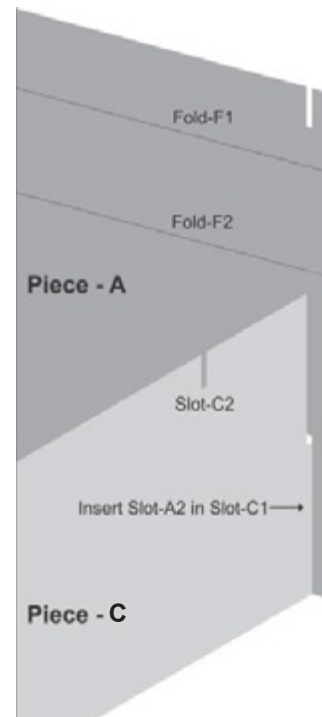
### Step 2:

Insert Slot A1 of Piece A into Slot B1 of Piece B



### Step 3:

Insert Slot A2 of Piece A into Slot C1 of Piece C



## PRIVACYSHIELD<sup>®</sup> DESKTOP PARTITION ASSEMBLY GUIDE

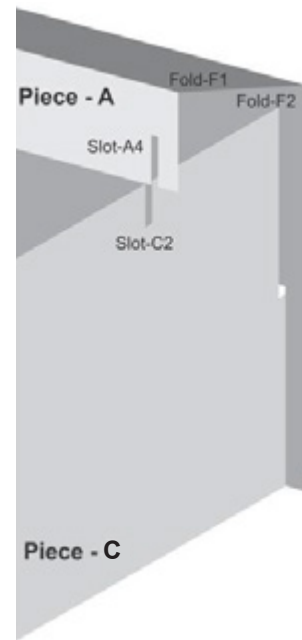
### Step 4:

Fold top of Piece A at Fold Marks labeled F1 and F2 and insert Slot A3 into Slot B2.



### Step 5:

Insert Slot A4 of Piece A into Slot C2 of Piece C



### Step 6:

Ensure all panels and slots meet correctly at right angles and place assembled piece where desired.

