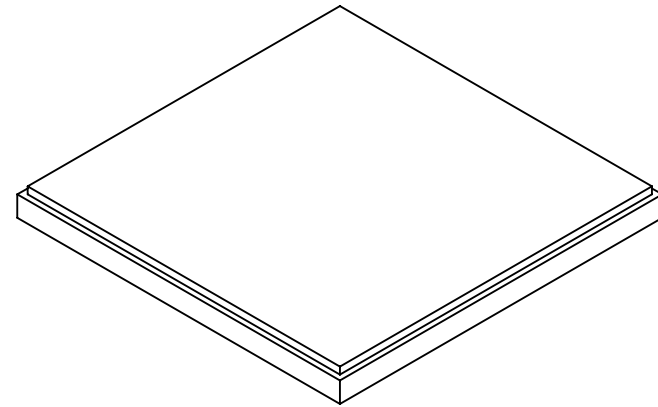
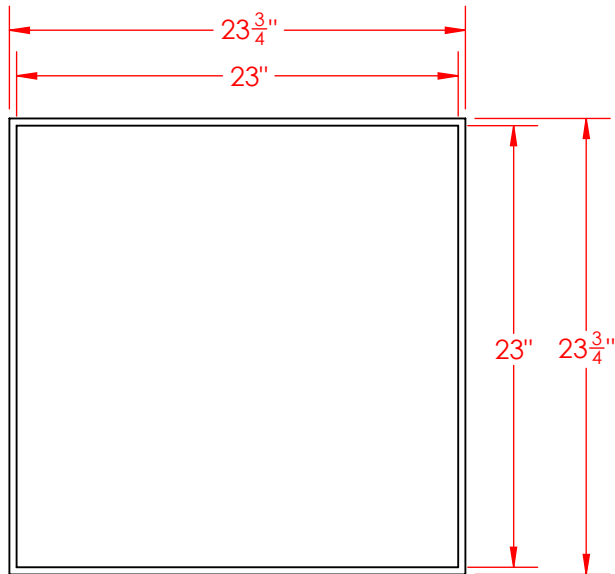
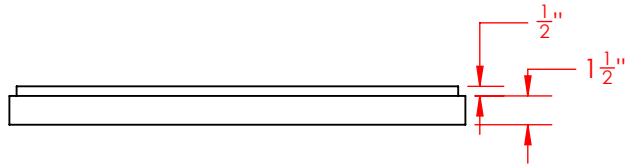


REVISIONS			
REV.	DESCRIPTION	DATE	APPROVED
A	Initial Release	1/8/2019	



PROPRIETARY AND CONFIDENTIAL
 THE INFORMATION CONTAINED IN THIS DRAWING IS THE SOLE PROPERTY OF ACOUSTICAL SOLUTIONS. ANY REPRODUCTION IN PART OR AS A WHOLE WITHOUT THE WRITTEN PERMISSION OF ACOUSTICAL SOLUTIONS IS PROHIBITED.

MATERIAL Natural Melamine Foam
 FINISH Varies

UNLESS OTHERWISE SPECIFIED:
 DIMENSIONS ARE IN INCHES
 TOLERANCES ARE:
 ANGLES: ± 1°
 FRACTIONAL: 4% ± 1/16
 DECIMALS: 4% ± 0.05
 DIMENSIONS REFLECT FACTORY CONDITIONS



DRAWN	
CHECKED	
APPROVED	



DESCRIPTION
 AlphaSorb® Acoustic Foam Drop-In Foam Ceiling Tile

DWG. NO. TA-EA-015-2424-002	SIZE A
SCALE: 1:10	SHEET 1 OF 1
DO NOT SCALE DRAWING	