

## PRIVACYSHIELD<sup>®</sup> SOUNDPROOF DOOR DATA SHEET



### DESCRIPTION

The PrivacyShield<sup>®</sup> Soundproof Door is ideal for recording studios, offices, band rooms, hotels, dorm rooms, conference rooms, or any application that requires a soundproof interior door. It is the most affordable option among quality acoustic sound blocking doors with a Noise Isolation Class (NIC) value of up to 56 for airborne sound.

### FEATURES

- Ready to stain or paint
- Ships pre-hung and assembled
- Adjustable jams and seals
- Automatic sill
- Heavy duty hinges
- 3-point handle latching system

### TECHNICAL CHARACTERISTICS

<b>SIZE:</b>	36" x 84" or custom
<b>THICKNESS:</b>	2-3/4" (13 layer assembly)
<b>STANDARD FINISH:</b>	Oak (ready to stain)
<b>CUSTOM FINISH:</b>	Cherry, Maple, Walnut
<b>DOOR INCLUDES:</b>	Door, frame, trim, handle, hinges, perimeter sound seals and door bottom are supplied as part of the tested assembly.
<b>HARDWARE COLOR:</b>	Satin Chrome, Black
<b>INTENDED USE:</b>	Interior soundproof door
<b>NIC RATING:</b>	Up to 56
<b>UPGRADES:</b>	Vision Lite Window, Kick Plate, Threshold, Door Closer, Jamb Extension Kit



## PRIVACYSHIELD<sup>®</sup> SOUNDPROOF DOOR DATA SHEET

### DOOR HARDWARE STYLES

Venice — Passage Only



Venice — Thumb Turn Deadbolt



Venice — Keyed Deadbolt



## PRIVACYSHIELD<sup>®</sup> SOUNDPROOF DOOR DATA SHEET

# Simply Close the Door



European technology in a North American Lock

By simply closing the door the upper and lower 3/4" (20 mm) latches will instantly engage

By turning the key from outside or the knob from inside it will engage the 1" central deadbolt and block the top and bottom latches to become a **3-deadbolt locking system**

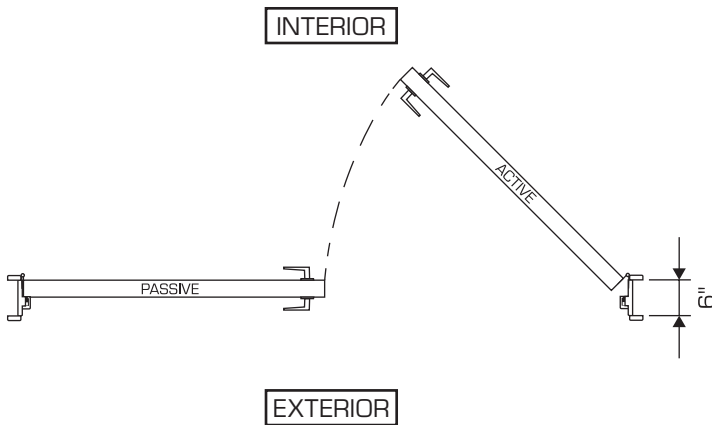
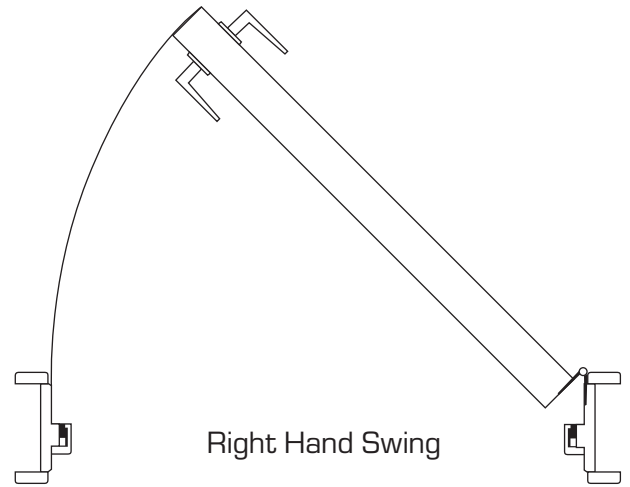
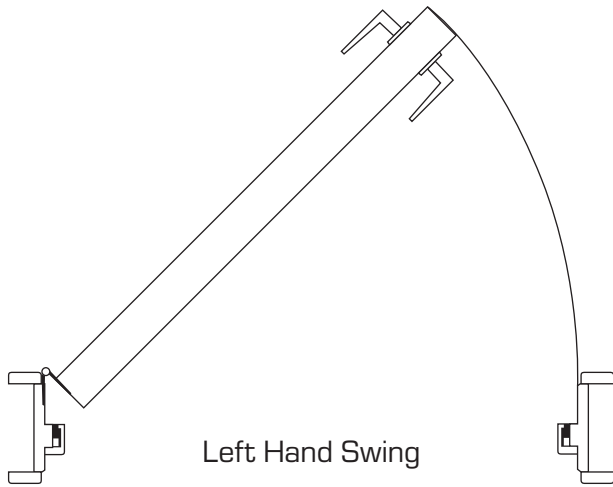
### THE ADVANTAGES

- 20 mm tempered steel latches engage behind the strike plate and prevent the door from warping
- No lifting of the handle to engage locking points
- 90 degree thumbturn to engage deadbolt function
- The tapered latches always engage the keepers upon closing of the door
- The top and bottom locking points:
  - give more security
  - give better weather sealing performance
  - help reduce door warpage
- High grade 16 mm Stainless Steel faceplate for higher corrosion resistance
- Radiused ends on faceplate for a clean look and easy installation
- Available for standard and 8 foot doors, in 45, 50, and 60 mm backsets

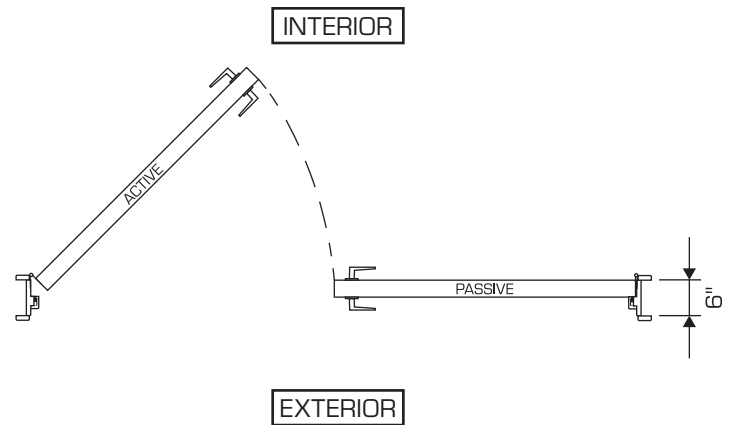
*\* Can be fitted with Ferco handle trim sets*



**PRIVACYSHIELD<sup>®</sup> SOUNDPROOF DOOR DATA SHEET**



Left Hand Active – Double Door



Right Hand Active – Double Door

