

ALPHASORB[®] DESIGNER PREMIUM ACOUSTIC FELT CEILING BAFFLES DRYWALL/CONCRETE INSTALL INSTRUCTIONS

IMPORTANT: *These instructions are for Drywall and Concrete Installations only*

AIRCRAFT CABLE

These installation suggestions consist of a common process for baffle installation. Installers should rely upon their own professional experience and understanding of their unique requirements to ensure a successful install.

TOOLS NEEDED



Cable Cutter

OPTIONAL

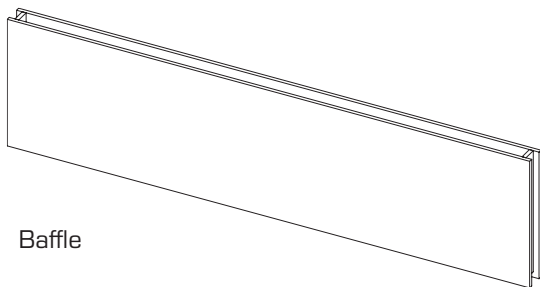


1/16" Aircraft Cable

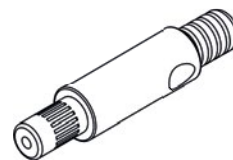
Additional length required, if any, will be determined by site needs

Note: Installer to select preferred ceiling hardware

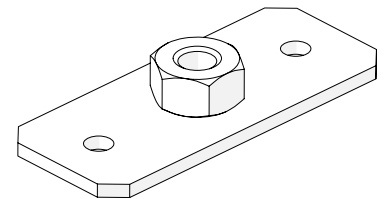
ITEMS INCLUDED



Baffle



(2) Grip Locks



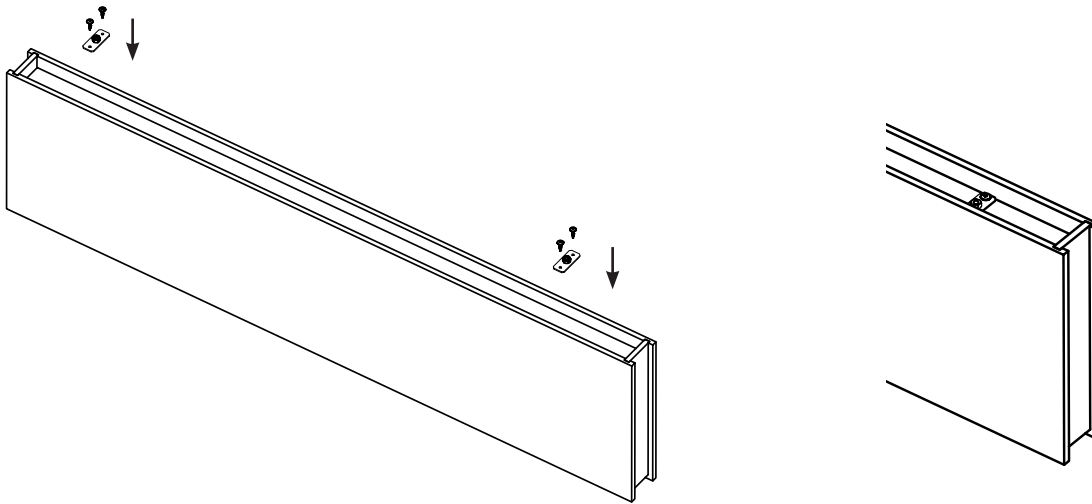
(2) Flat Brackets



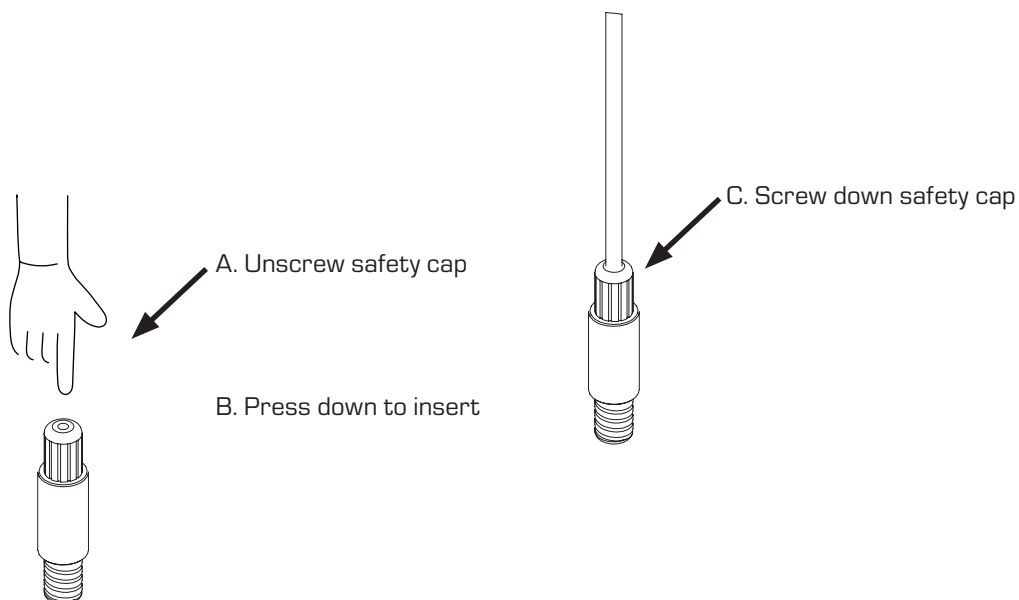
ALPHASORB[®] DESIGNER PREMIUM ACOUSTIC FELT CEILING BAFFLES DRYWALL/CONCRETE INSTALL INSTRUCTIONS

AIRCRAFT CABLE

1. Locate where the flat bracket should be placed; to ensure the baffle hangs evenly, be sure to space them at equal distances from each end.



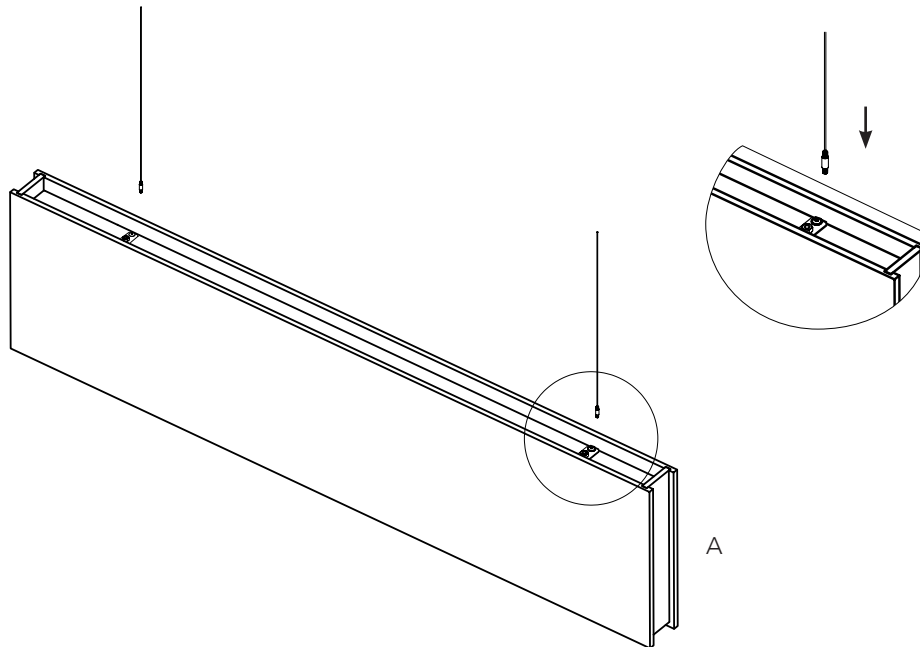
2. Insert and lock the aircraft cable into the grip lock.



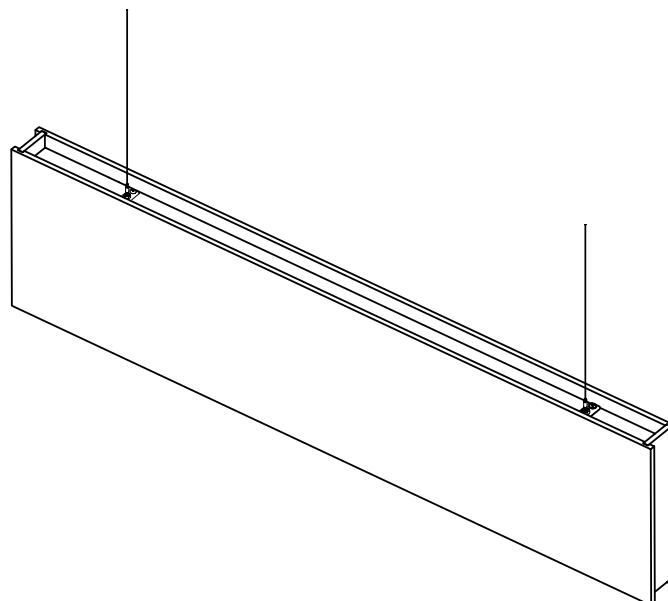
ALPHASORB[®] DESIGNER PREMIUM ACOUSTIC FELT CEILING BAFFLES DRYWALL/CONCRETE INSTALL INSTRUCTIONS

AIRCRAFT CABLE

3. Screw the grip lock to the bracket on the baffle.



4. Complete installation.



ALPHASORB[®] DESIGNER PREMIUM ACOUSTIC FELT CEILING BAFFLES DRYWALL/CONCRETE INSTALL INSTRUCTIONS

THREADED ROD

These installation guidelines consist of the common process of adding a 1/4" (20) threaded stud for baffle installation. Installers should rely upon their own professional experience and understanding of their unique requirements to ensure a successful installation..

TOOLS NEEDED



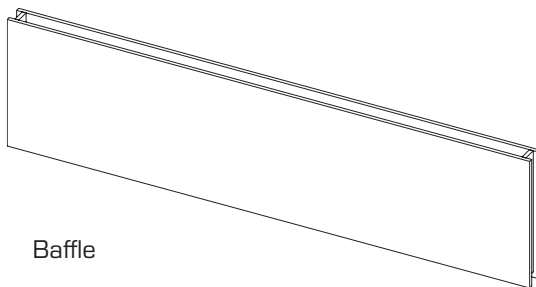
Cable Cutter

BY OTHERS

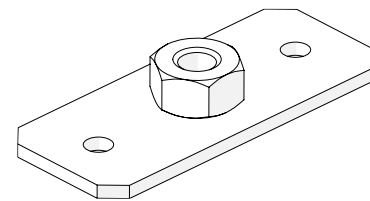


Threaded Rod 1/4 - 20

ITEMS INCLUDED



Baffle



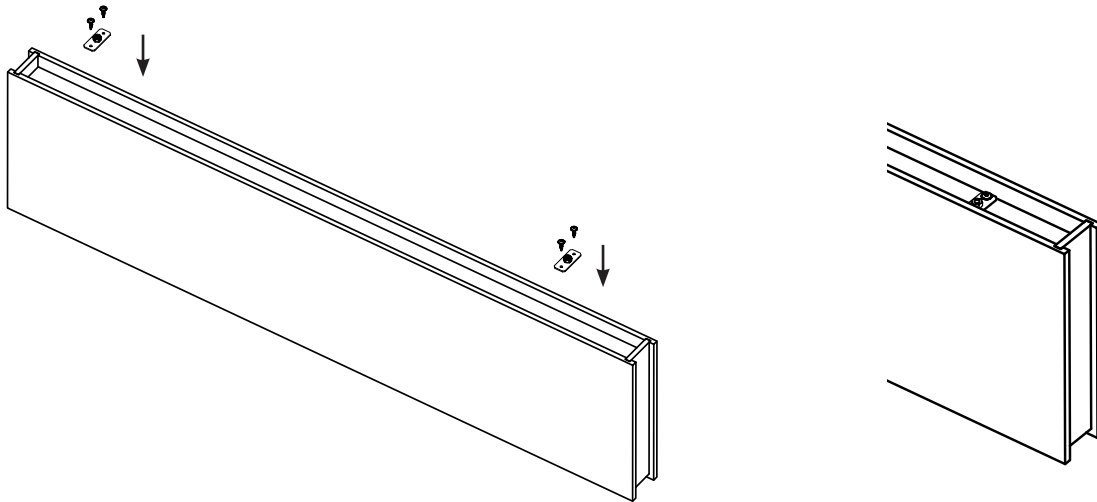
(2) Flat Brackets



ALPHASORB[®] DESIGNER PREMIUM ACOUSTIC FELT CEILING BAFFLES DRYWALL/CONCRETE INSTALL INSTRUCTIONS

THREADED ROD

1. Locate where the flat bracket should be placed; to ensure the baffle hangs evenly, be sure to space them at equal distances from each end..



2. Install the threaded rod into the flat bracket.

