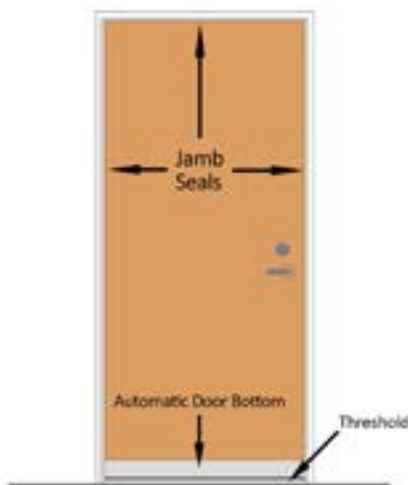


PRIVACYSHIELD[®] SOUNDPROOFING DOOR SEAL KIT INSTALLATION GUIDE

The following installation instructions are given as a general guide to avoid common errors. Installer should follow best practices for construction and workmanship. Acoustical Solutions bears no responsibility for installation or contractor selection. Please contact a sales representative if you have questions, concerns or specific project requirements.

Be sure to inspect materials upon delivery. Please note any damage on the delivery ticket and notify Acoustical Solutions immediately. Materials should be stored in original packing in a clean, climate controlled environment free of moisture. Installation should not commence until building is enclosed and under standard occupancy conditions and surfaces are of acceptable condition and properly prepared. Do not install materials of unacceptable quality.

SUMMARY



1. Measure & Cut for Threshold.



2. Install Threshold.



3. Measure & cut door jamb seals.



4. Install Jamb Seals to door frame.



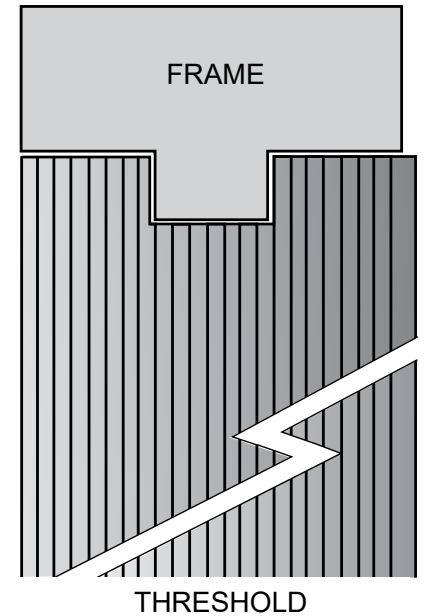
5. Install door bottom.



PRIVACYSHIELD[®] SOUNDPROOFING DOOR SEAL KIT INSTALLATION GUIDE

THRESHOLD INSTALLATION (STEP 1)

1. Measure door sill (frame width at bottom) and cut the threshold to extend the full width of the opening.
2. Notch the threshold sides if necessary to accommodate the side jamb stops and cut threshold to desired width.
3. It is recommended to caulk underneath and around edges of threshold for moisture & sound control.
4. Fasten threshold to the sill with proper screws.
5. Operate the door several times to ensure the threshold does not inhibit the door from self-closing and latching.



Measure, notch & Cut Threshold to required dimensions.



Install Threshold.

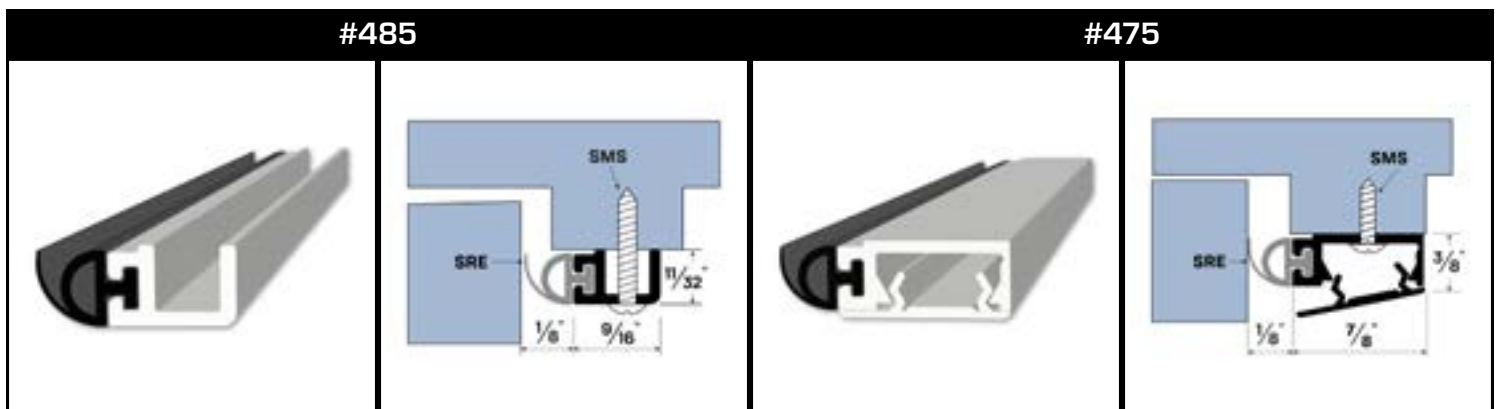


PRIVACYSHIELD[®] SOUNDPROOFING DOOR SEAL KIT INSTALLATION GUIDE

PERIMETER DOOR SEALS (STEP 2)

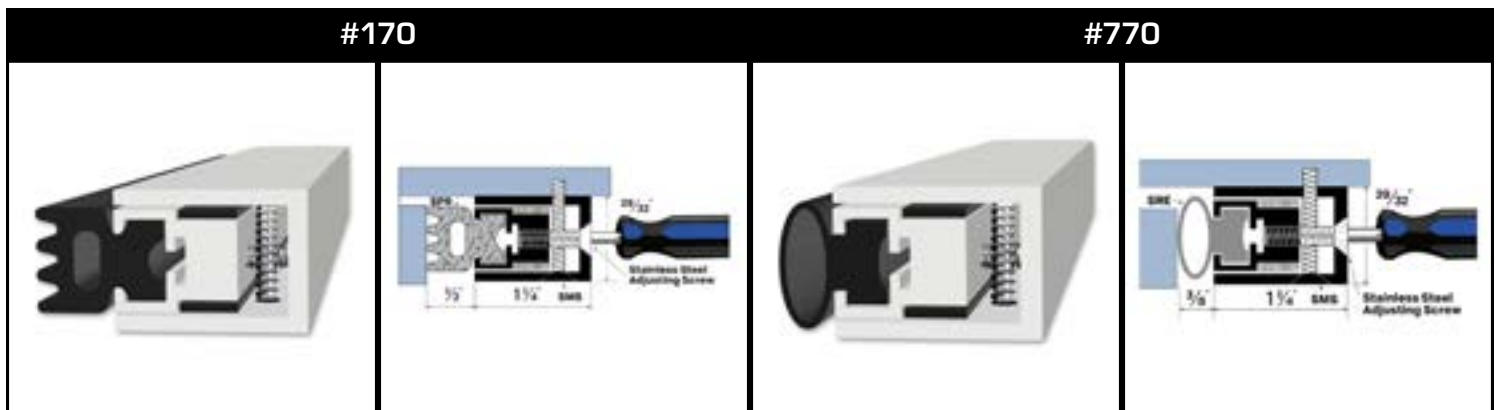
1. Close the door and measure the frame opening. Transfer dimensions to corresponding jambs.
2. Trim door seal lengths. Cut neoprene first, leaving some additional rubber gasket if needed. Trim seal housing as required with appropriate metal saw. Install the door seal gasketing, head piece first. Place the piece against the face of door, making gentle contact between the rubber extrusion seal and the door. Fasten in place.
3. Place hinge side piece against the face of door, making gentle contact between the rubber extrusion seal and the door. Fasten in place. Repeat the same procedure with the lock side.

NOTE: It is recommended that these gasketing products be set in a bead of caulking to ensure the integrity of the seal and prevent additional sound transmission.



Once 485 has been fastened,
installation is complete.

after all the screws are installed,
snap on the PVC cover of the 475.



Adjust #170 & 770 with the adjustment screws as necessary for the desired seal and operation of the door.



PRIVACYSHIELD[®] SOUNDPROOFING DOOR SEAL KIT INSTALLATION GUIDE

SURFACE MOUNT AUTOMATIC DOOR BOTTOM (STEP 3)

1. Cut the automatic door bottom (ADB) to the size needed. Leave 1/16" (1.6mm) clearance on each end.
2. Place the ADB on the door. All surface and semi-mortised units must be mounted on the push side of the door (side where the door stop is).
3. Fasten with screws provided. The adjusting brass nut must be on the hinge side and should not be adjusted until the unit has been mounted.
4. Optimum clearance between door bottom unit and floor or sill is 3/8" (9.5mm). For model #369 clearance is 5/8" (15.9mm).
5. Final adjustment to control the drop of the automatic door bottom can be made once the unit is installed, by turning the adjusting brass nut in or out. Open and close the door while adjusting the brass nut to get the desired seal with the floor or sill. Do not over adjust.

TRIMMING INSTRUCTIONS

