

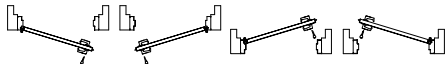
# Quick Ship Acoustical Metal Door and Frame Order Sheet



Customer: \_\_\_\_\_ Approved By: \_\_\_\_\_  
 Job Name: \_\_\_\_\_ Date: \_\_\_\_\_  
 Location: \_\_\_\_\_ Overly SO#: \_\_\_\_\_  
 Customer PO: \_\_\_\_\_ Overly JO#: \_\_\_\_\_  
 Mark #s: \_\_\_\_\_

### Swing Chart

Secure Side (Interior)



Public "Key" Side (Exterior)

LHR  RHR  LH  RH

### Available Hardware Preps:

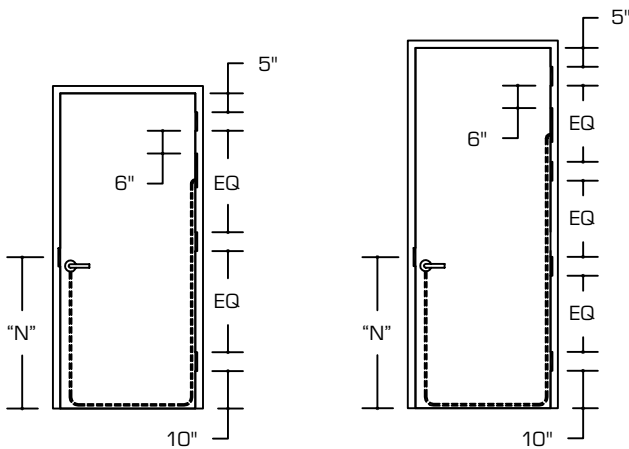
- Government 161 Cylindrical Lock (3-3/4" Backset)
- ANSI 86 Mortise Lock\*
- ANSI 86 Mortise Panic\*
- Rim Panic\*
- LKM 10K\* Model No. \_\_\_\_\_
- S&G 2890B Lever X Lever
- S&G 2890B Lever X Panic Bar
- CDX-10 Auxilliary Lock\* (20 Min. Max Fire Rating)

### "N"

- 40-5/16" CL Strike
- 40-5/16" CL Strike
- 40-5/16" CL Strike (Per Template)
- 41-1/2" CL Strike
- 41-1/2" CL Strike
- 48" CL Spin Dial

\*Note: All Function Holes Drilled in Field by Installer

### Available Jamb Opening Sizes:



- 36" X 84"
- 48" X 84"

- 36" X 96"
- 48" X 96"

### Rough Opening Calculation

Width = JOW + 3"

Height = JOH + 1-1/2"

### Optional Positive Pressure Fire Ratings:

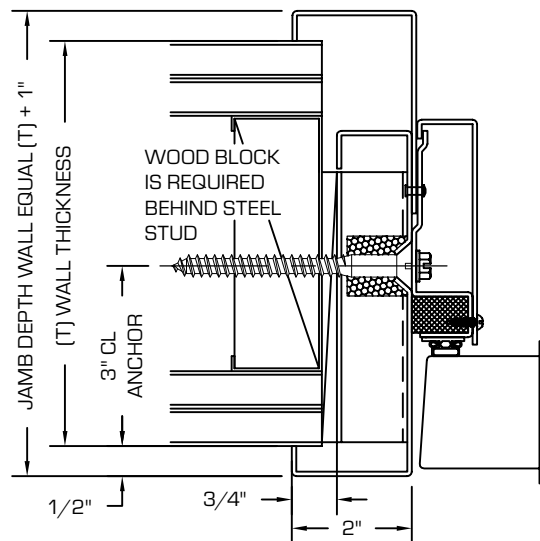
- Not Labeled
- 45 Minutes
- 1-1/2 Hours
- 20 Minutes\*\*

\*\*Note: Fire rating availability subject to UL approval of lock selected unless pre-approved by Local Authority Having Jurisdiction.

### Standard Features:

- STC 50 Flush Door (No Vision Light)
- Overly Model STC5012016
- Carbon Steel with Overly Standard Prime Finish
- MCL-500 Cam-Lift Hinges, as Cast
- Single Magnetic Frame Gaskets, Super "H" Door Bottom
- Reese S105A 1/2" High Threshold Included
- 2-Piece Split Frame Design
- Von Duprin EPT Prep with Filler Plate
- Conduit from EPT to Lock or Tail End of Panic Device
- Bolt-in Frame Anchorage for Masonry or Drywall
- Surface-mounted Closer Reinforcement & Mounting Brackets
- 4-7/8" ASA Strike Preparation for Cylindrical, Mortise, or Mortise Panic Locks

### Frame Information:



Steel/Wood Stud Shown; Masonry Available Also

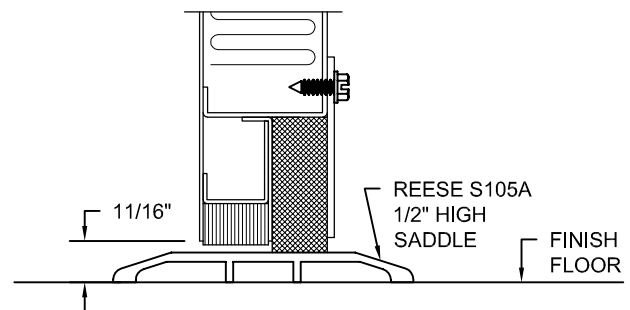
### Available Frame Anchors

- 3/8"Ø Masonry Expansion Anchors
- #24 Wood Stud Screw Anchors

### Wall Thickness

(T): \_\_\_\_\_  
 Note Minimum (T): 4-7/8"  
 Note Maximum (T): 11"

### Sill Information:



### Ship To Address:

\_\_\_\_\_  
 \_\_\_\_\_  
 \_\_\_\_\_  
 \_\_\_\_\_